

CARPORT

10'W x 15'L x 7'H
3 x 4,6 x 2,1 M



Multi-use shelter and carport – perfect for vehicles, boats, tractors, and outdoor picnic areas and patio furniture.



DESIGNED FOR STRENGTH

2 in. / 5,1 cm square tube / 15-gauge wall thickness delivers wind and snow load strength and stability. Premium black powder coat finish resists rust and corrosion. Rib spacing: 4' 6" / 1,4 m.



DESIGNED FOR EASY INSTALLATION

Slip-fit frame connections with pilot holes and self-drilling screws for easy assembly. Ready-to-build right out of the box.

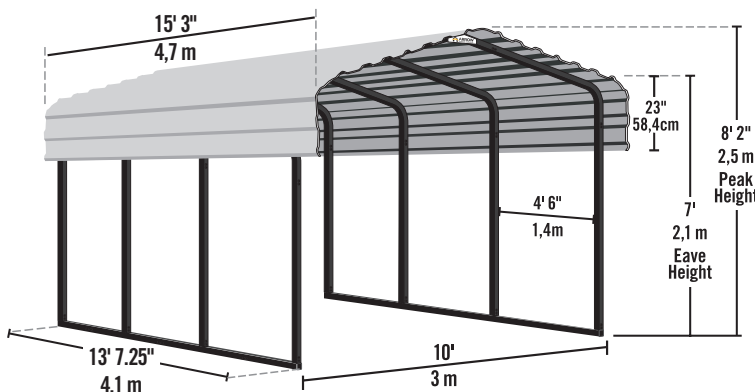


BUILT-TO-LAST ROOF

Horizontal roof panels with 29-gauge painted galvanized steel for corrosion resistance. Rounded eaves for additional protection from elements. 10 in. / 25,4 cm overhang at the gables. Eggshell finish.



Wind Speed	100 MPH*
Snow/Ground Load	35 PSF*
* Wind and snow loads given are for reference only and assume a securely anchored frame according to local building codes and ordinances. These have been calculated using combined snow and wind load provisions in accordance with ASCE 7-05.	



Model: CPH101507

Product:

Exterior Dimensions:

120 x 183.25 x 98.4 in
304,8 x 465,5 x 249,9 cm

Interior Dimensions:

116 x 183.25 x 96.4 in.
294,6 x 465,5 x 244,9 cm

Storage Area:

148 sq. ft. / 13,7 sq. m
1110 cu. ft. / 31,4 cu. m

Recommended Foundation:

11 x 16 ft. / 3,4 x 4,9 m

Packaging:

Total Weight:

438 lbs. / 198,7 kg

Total Pallet Weight:

486 lbs. / 220,4 kg

Shipping Dimensions:

3 reinforced cardboard boxes on wood pallet

Box 1 : 138 lbs. / 62,6 kg

71.1 x 22.2 x 4.3 in.

180,5 x 56,5 x 11 cm

Box 2 : 135 lbs. / 61,2 kg

71.1 x 22.2 x 4.3 in.

180,5 x 56,5 x 11 cm

Box 3 : 164 lbs. / 74,4 kg

70 x 30.25 x 3.5 in.

177,8 x 76,8 x 8,9 cm

Pallet: 71.1 x 30.25 x 16.4 in.

180,5 x 76,8 x 41,6 cm

40' Container Qty.: 57

48' Trailer Qty.: 72

