

Owner's Manual & Assembly Instructions

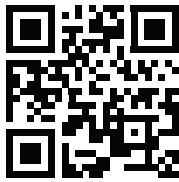
FA01a

Model No. **YS410** **YS410EU** **YS410AB**
YS410AN **YS410BG** **YS410SG**
YS410ANCL

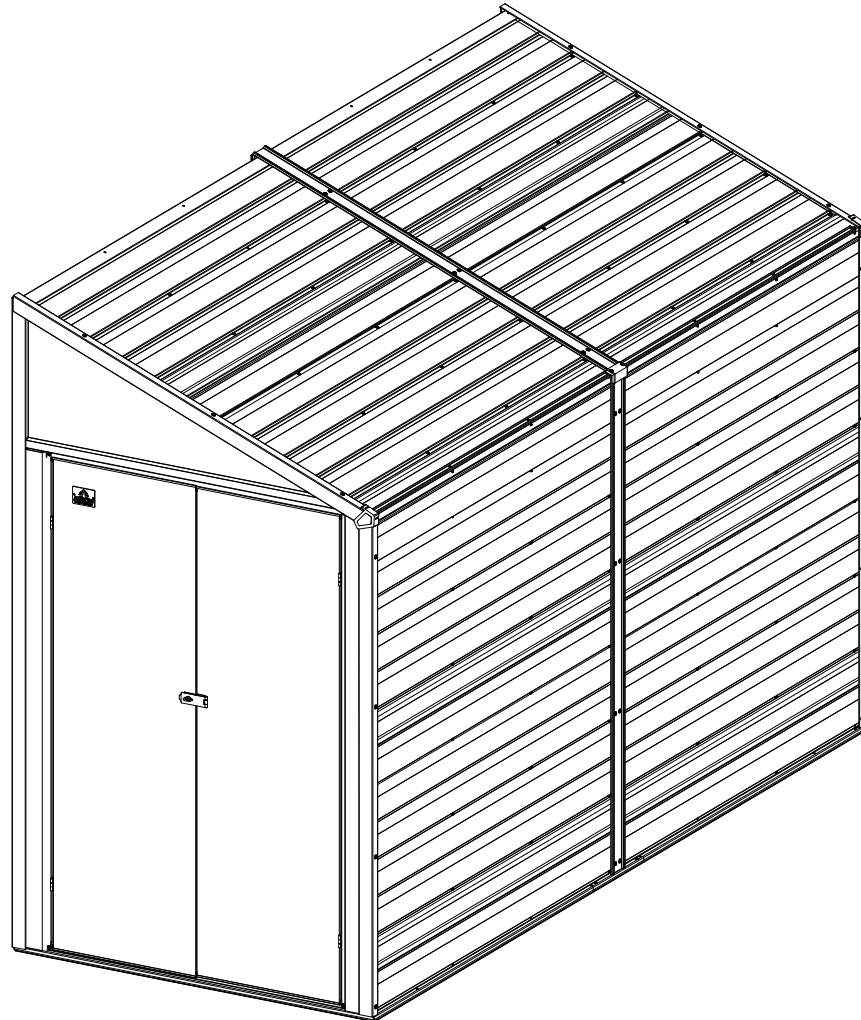


YardSaver®

Register • Enregistrer • Registrare



ShelterLogic.com/product-registration



723120321

Storage Area: 38 Sq. Ft. 227 Cu. Ft.
 3,5 m² 6,4 m³



CAUTION: SOME PARTS HAVE SHARP EDGES. CARE MUST BE TAKEN WHEN HANDLING THE VARIOUS PIECES TO AVOID A MISHAP. FOR SAFETY SAKE, PLEASE READ SAFETY INFORMATION PROVIDED IN THIS MANUAL BEFORE BEGINNING CONSTRUCTION. WEAR GLOVES WHEN HANDLING METAL PARTS.

BUILDING DIMENSIONS * Size rounded off to the nearest foot

*Approx. Size	Base Size	Exterior Dimensions (Roof Edge to Roof Edge)			Interior Dimensions (Wall to Wall)			Door Opening	
		Width	Depth	Height	Width	Depth	Height	Width	Height
4' x 10'	50 1/2" x 116 3/4"	49"	116"	82"	47 3/4"	114"	81 1/4"	38 1/2"	60 1/4"
1,2 m x 2,9 m	128,3 cm x 296,5 cm	124,5 cm	294,6 cm	208,3 cm	121,3 cm	289,6 cm	206,4 cm	97,8 cm	153,0 cm

- GB:** Assembly manual in additional languages available online.
Scan QR code below to access.
- FR:** Manuel de montage disponible en ligne dans d'autres langues.
Pour y accéder, scannez le code QR ci-dessous.
- SP:** Manual de montaje en idiomas adicionales disponible online.
Escanee el código QR a continuación para acceder.
- DE:** Montageanleitung in zusätzlichen Sprachen online verfügbar.
Scannen Sie den QR-Code unten, um darauf zuzugreifen.
- IT:** Manuale dell'assemblea in altre lingue disponibile online.
Per accedere effettua la scansione del codice QR in basso.
- PT:** Manual de montagem disponível em outros idiomas online.
Digitalize o código QR abaixo para obter acesso.
- DT:** Samlingshåndbog i yderligere sprog til rådighed online.
Scan QR kode nedenunder for at få adgang.
- SK:** Na internete je k dispozícii návod na zostavenie v ďalších jazykoch.
Dostanete sa k nemu naskenovaním kódu QR.
- CZ:** Návod k montáži v dalších jazycích je k dispozici v online verzi.
Přístup získáte po naskenování QR kódu níže.
- HU:** Az összeszerelési útmutató további nyelveken is elérhető online.
A hozzáféréshez olvassa be az alábbi QR-kódot.
- GR:** Υπάρχει διαθέσιμο στο διαδίκτυο το εγχειρίδιο συναρμολόγησης
σε περισσότερες γλώσσες. Σαρώστε τον παρακάτω κώδικα
QR για να αποκτήσετε πρόσβαση.



BEFORE YOU BEGIN...

A03a

Owner's Manual

Before beginning construction, check local building codes regarding footings, location and other requirements. Study and understand this owner's manual.

Important information and helpful tips will make your construction easier and more enjoyable.

Assembly Instructions: Instructions are supplied in this manual and contain all appropriate information for your building model. Review all instructions before you begin, and during assembly, follow the step sequence carefully for successful results.

Flooring and Anchoring: Your storage building must be anchored to prevent wind damage. A base is necessary to construct a square and level building. Anchoring and base materials are not included with your building. We recommend the combined use of an Arrow Floor Frame Kit and an Arrow Anchoring Kit as an effective method of securing your building to the ground (Available at your local dealer, Arrow's website arrowsheds.com or call Arrow's Customer Service department 1-800-851-1085) or you may construct a base and anchoring system of your choice. Your assembly instructions provide information on a few methods commonly used to secure and level a storage building.

Parts and Parts List: Check to be sure that you have all the necessary parts for your building.

- All part numbers can be found on the parts. All of these numbers (before the -) must agree with the numbers on the Parts List page.
- If you find that a part is missing, include the model number of your building and contact:
- Separate contents of the carton by the part number while reviewing parts list. The first few steps show how to join related parts to make larger sub assemblies which will be used later.
- Familiarize yourself with the hardware and fasteners for easier use during construction. These are packaged within the carton. Note that extra fasteners have been supplied for your convenience.

PLAN AHEAD....

A04

Watch the Weather: Be sure the day you select to install your building is dry and calm. Do not attempt to assemble your building on a windy day. Be careful on wet or muddy ground.

Teamwork: Whenever possible, two or more people should work together to assemble your building. One person can position parts or panels while the other is able to handle the fasteners and the tools.

Tools and Materials: These are some basic tools and materials you will need for the construction of your building. Decide which method of anchoring and the type of base you wish to use in order to form a complete list of the materials you will need.

<p>Required</p> <ul style="list-style-type: none"> • Eye Goggles • No. 2 Phillips Screwdriver (With Hardened Magnetic Tip) <p>Note: A power screwdriver or variable speed drill with Phillips-tip attachment can speed assembly by as much as 40%.</p>	<p>Required</p> <ul style="list-style-type: none"> • Work Gloves • Step Ladder • Utility Knife / Scissors • Pliers • Carpenter's Level • Tape Measure 	<p>Optional Time-Savers</p> <ul style="list-style-type: none"> • Wrench / Nut Driver • Electric / Cordless Drill • Square • String (for squaring frame) 	<p>Base Preparation</p> <ul style="list-style-type: none"> • Hammer and Nails • Spade or Shovel • Hand Saw / Power Saw • Lumber and/or Concrete
--	---	---	---

Selecting and Preparing Your Site: Before assembly, you will want to decide on a location for your building. The best location is a level area with good drainage.

- Allow enough working space for ease of moving parts into position during assembly. Be sure there will be enough space at entrance for doors to open fully and enough space around the building to be able to fasten the panel screws from the outside.

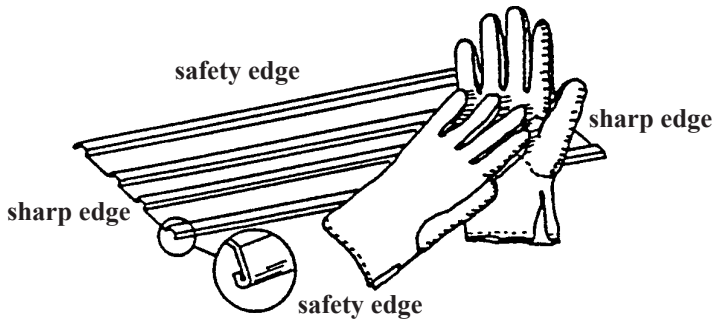
- Before you begin the first steps in assembling your parts, a base should be constructed and an anchoring system should be ready to use.

SAFETY FIRST...

A05a

Safety precautions are important to follow throughout the construction of your building.

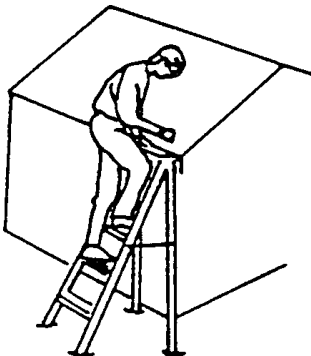
•Care must be taken when handling various pieces of your building since some contain sharp edges. Please wear work gloves, eye protection and long sleeves when assembling or performing any maintenance on your building.



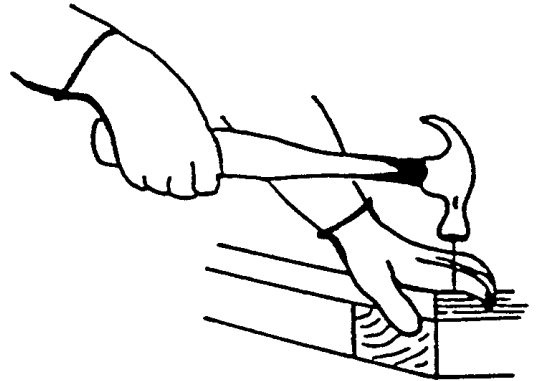
•Keep children and pets away from worksite to avoid distractions and any accidents which may occur.



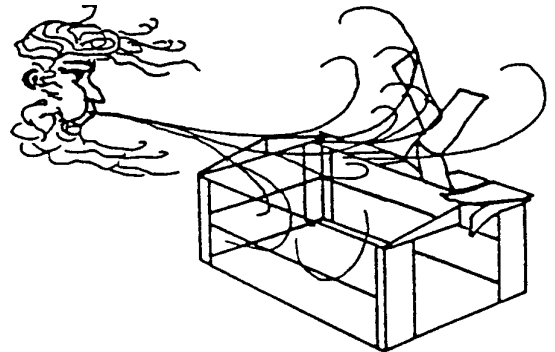
•Never concentrate your total weight on the roof of the building. When using a step ladder make sure that it is fully open and on even ground before climbing on it.



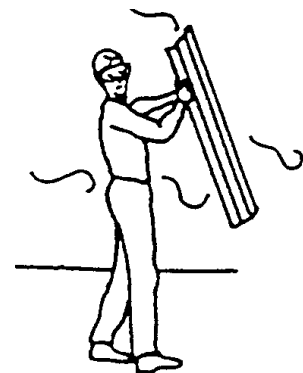
•Practice caution with the tools being used in the assembly of this building. Be familiar with the operation of all power tools.



•Do not attempt to assemble the building if parts are missing because any building left partially assembled may be seriously damaged by light winds.



•Do not attempt to assemble the building on a windy day, because the large panels acting as a "sail", can be whipped about by the wind making construction difficult and unsafe.



CARE & MAINTENANCE....

A06

Finish: For long lasting finish, periodically clean and wax the exterior surface. Touch-up scratches as soon as you notice them on your unit. Immediately clean the area with a wire brush; wash it and apply touch-up paint per manufacturer's recommendation.

Roof: Keep roof clear of leaves and snow with long handled, soft-bristled broom. Heavy amounts of snow on roof can damage building making it unsafe to enter. In snow country, Roof Strengthening Kits are available for most Arrow Buildings for added protection against heavy snow accumulation. Contact Arrow as outlined on the Ordering Accessories page to place an order.

Doors: Always keep the door tracks clear of dirt and other debris that prevent them from sliding easily. Lubricate door track annually with furniture polish or silicone spray. Keep doors closed and locked to prevent wind damage.

Fasteners: Use all washers supplied to protect against weather infiltration and to protect the metal from being scratched by screws. Regularly check your building for loose screws, bolts, nuts, etc. and retighten them as necessary.

Moisture: A plastic sheet (vapor barrier) placed under the entire floor area with good ventilation will reduce condensation.

Other Tips....

- Wash off inked part numbers on coated panels with soap and water.
- Silicone caulking may be used for watertight seals throughout the building.

Do not store swimming pool chemicals in your building. Combustibles and corrosives must be stored in air tight approved containers.

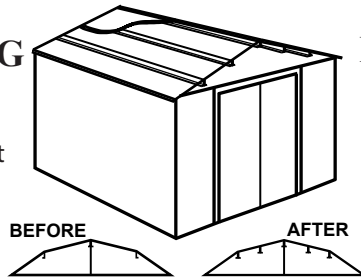
Keep this Owner's Manual and Assembly Instructions for future reference.

ACCESSORIES...

A07

ROOF STRENGTHENING (heavy snow load) KITS

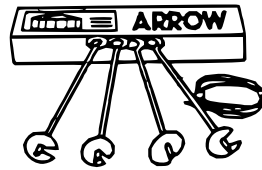
Extra roof beams and gable braces designed for added protection against heavy snow accumulation. Increases the strength of your roof.



ANCHOR KITS

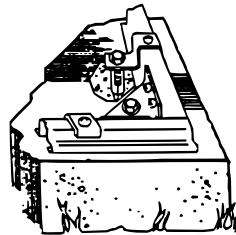
Model No. AK4

Anchor Kit contains heavy-duty steel augers, 60' (18 m) of steel cable and 4 cable clamps. No digging or concrete pouring, just insert cable under roof, over roof beams, into augers and twist augers into the ground. For buildings larger than 10'x9' (3,0 m x 2,6 m), use 2 kits.



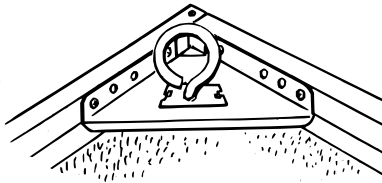
Model No. AK100

New concrete anchor system permits anchoring any size Arrow building directly to a concrete slab. Each kit contains heavy-duty, hot-dipped galvanized steel corner gussets and perimeter clips which fit over the floor frame and lag bolt into a concrete slab. Full assembly instructions and a 1/4" masonry drill bit are included.



Model No. AK600

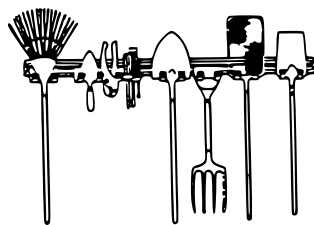
Earth Anchor Kit anchors any size Arrow building to the ground. Each kit contains heavy duty, hot-dipped galvanized steel corner gussets and 4 earth anchors.



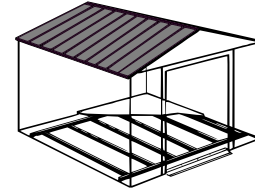
TOOL HANGING RACK

Model No. TH100

The perfect tool organizer. Twin 25 1/2" (64,8 cm) steel channels plus five heavy-duty snap-in hangers and a small tool holder for screwdrivers, pliers, etc. Holders slide along channel for fully adjustable spacing. Great for garage, basement, or the back of any door. Fits all Arrow storage buildings.



FLOOR FRAME KITS



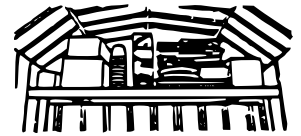
MODELS FB47410, FB5465, FB106-A
FB109-A and FB1014-A

A simple new floor frame system made of heavy-duty, hot-dipped galvanized steel. Use as base for plywood, sand or stone.

ATTIC KIT / WORKBENCH KIT

Model No. AT101

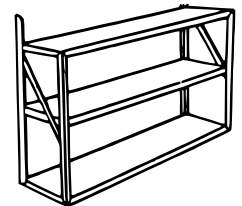
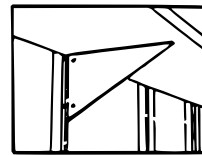
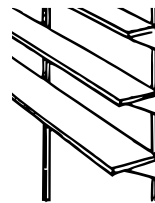
Heavy-duty galvanized steel bars that fit all 10' (3,0 m) wide Arrow buildings. They install quickly and easily to help organize space and create more useable space as an attic or workbench. Will hold up to 250 lbs. (113 kg) evenly distributed.



Some drilling required to fit buildings without mid-wall bracing.

SHELF UNITS

Heavy-duty, galvanized steel shelf units help organize storage space. They easily mount on the wall or sit on the floor. Fits all Arrow buildings.*



Model No. SS404

- Makes 8" to 12" (20,3-30,5 cm) wide shelves in any length.
- Brackets, braces, hardware included.
- Lumber is not included.

Model No. SS900-B

- Grey color
- 3 shelves
- Holds up to 85 lbs. (38 kg) (even weight distribution)

* Some drilling required to fit buildings without mid-wall bracing.

ORDERING ACCESSORIES....

A08

02/13

We recommend that you purchase accessory items from your local storage building dealer whenever possible; however, because the full line of accessories is not always available from all dealers, Arrow is offering them to you on a direct basis.

There are two ways to order Arrow Storage Building Accessories:

Option 1	Option 2
Accessories can be purchased through arrowsheds.com	Order accessories by telephone using your MasterCard or Visa credit card. Call toll free 1-800-851-1085 (Customer Service). Allow 2 weeks for delivery.

SPECIAL NOTE:

If your accessory is shipped via truck line a day time phone number is required to arrange delivery. If no one is available to sign for the delivery, you may be subject to a re-delivery charge assessed by the carrier.

Base

FA09

The Base For Your Building



OPTION 1: ARROW FLOOR FRAME KIT: (Order No. FB47410)

Arrow has the best base for your building in this simple kit. It keeps stored items above the ground. This kit should be used with one of the following:

A. To support a plywood deck B. To be filled with sand. We recommend the combined use of

1. an ARROW FLOOR FRAME KIT and 2. an ARROW ANCHORING KIT as an effective method of securing the building to the ground.

OPTION 2: Wood Platform

If you decide to build your own base, be sure to select the appropriate materials.

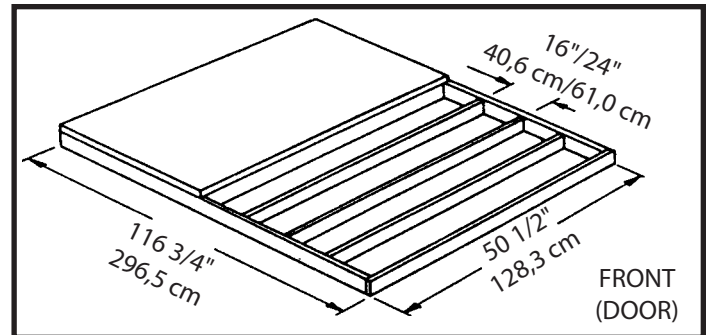
These are the recommended materials for your base:

2 x 4's (38 mm x 89 mm) Pressure Treated Lumber 5/8" (15,5 mm) 4 x 8 (1220 mm x 2440 mm) Plywood-exterior grade
10 & 4 penny Galvanized Nails Concrete Blocks (optional)

The platform should be level and flat (free of bumps, ridges etc.) to provide good support for the building. The necessary materials may be obtained from your local lumber yard.

NOTE: Pressure Treated Lumber must not be used where it will make contact with your storage building. The properties of Pressure Treated Lumber will cause accelerated corrosion. If Pressure Treated Lumber comes in contact with your storage building your warranty will be voided.

To construct the base follow instructions and diagram.
Construct frame (using 10 penny galvanized nails)
Measure 16"/24" (40,6 cm/61,0 cm) sections to construct inside frame (see diagram)
Secure plywood to frame (using 4 penny galvanized nails)



Note: Platform/Slab will extend 9/16" (1,4 cm) beyond floor frame on all four sides. Seal this 9/16" (1,4 cm) of wood with a roofing cement (not included), or bevel this 9/16" (1,4 cm) of concrete when pouring, for good water drainage.

OPTION 3: Concrete Slab

The slab should be at least 4" (10,2 cm) thick. It must be level and flat to provide good support for the frame.

The following are the recommended materials for your base.

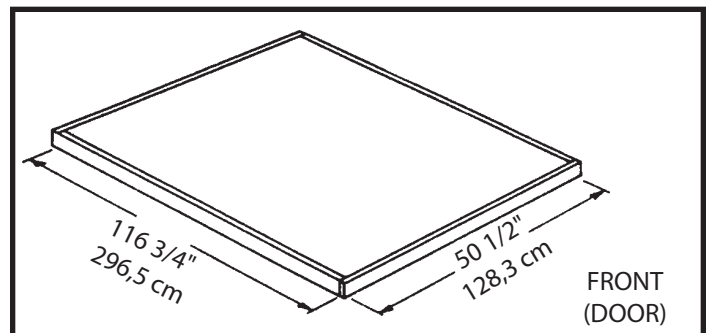
1 x 4's (19 mm x 89 mm) (will be removed once the concrete cures)
Concrete Sheet of 6 mil plastic

We recommend for a proper strength concrete to use a mix of:

1 part cement 3 parts pea sized gravel 2 1/2 parts clean sand

Prepare the Site/Construct a Base

1. Dig a square, 6" (15,2 cm) deep into the ground (remove grass).
2. Fill up to 4" (10,2 cm) in the square with gravel and tamp firm.
3. Cover gravel with a sheet of 6 mil plastic.
4. Construct a wood frame using four planks of 1x4 (19 mm x 89 mm) lumber.
5. Pour in concrete to fill in the hole and the frame giving a total of 4" (10,2 cm) thick concrete. Be sure surface is level.



Note: Finished Slab dimensions, with lumber removed.

Anchoring

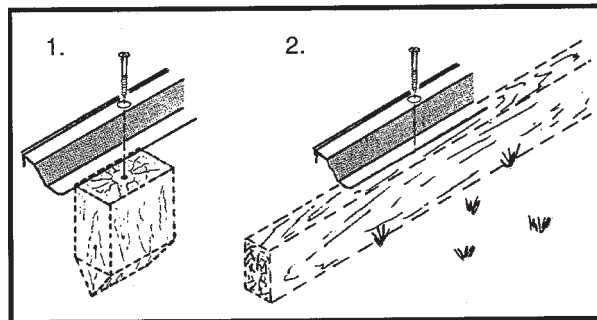
BR10

Anchoring Down The Building

It is important that the entire floor frame be anchored after the building is erected. Below are recommended ways of anchoring.

Anchoring into Wood/Post:

Use 1/4" (6 mm) Wood Screws. There are 1/4" (6 mm) dia. holes provided in the frames for proper anchoring.



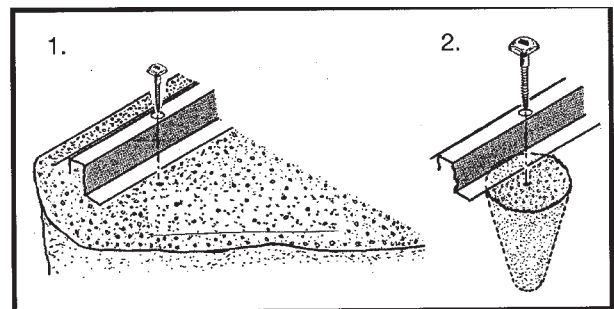
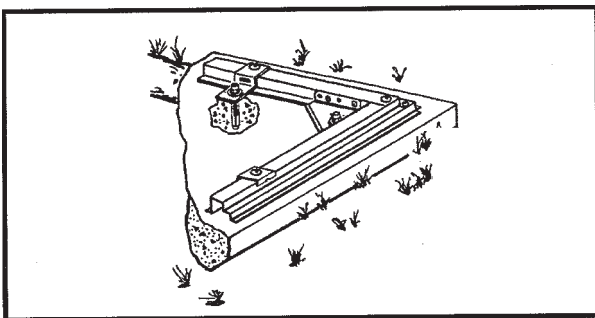
Arrow Anchoring Kit: (Model No. AK100 or 68383)

Recommended for use with the concrete base.

Contains: Corner gussets, perimeter clips, hardware, 1/4" masonry drill bit and installation instruction.

Anchoring into Concrete:

1. For poured concrete slab or footing or patio blocks: Use 1/4" x 2" (6 mm x 51 mm) Lag Screws.
2. For Anchor Post of Concrete poured after building is erected: Use 1/4" x 6" (6 mm x 152 mm) Lag Screws.



Hardware

AL11a



65103
#8-32 Hex Nut (66)



65941
#6-32 Hex Nut (23)
(Packed with Screws)



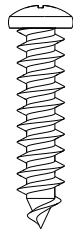
65923
#8-32x3/8" (10 mm)
Bolt (66)



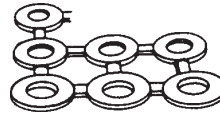
65004
#8Ax5/16" (8 mm)
Screw (317)



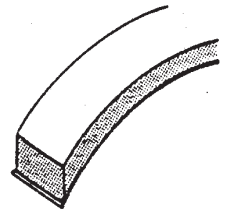
66714
#6-32x7/16" (11 mm)
Flat Hd Bolt (23)
(Packed with Screws)



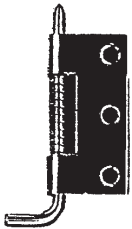
66692
#10ABx1" (25 mm)
Screw (2)
(Packed with Screws)



66646
Washer (278)
(8 sheets of 40)



66022
Gray Foam Tape (1)



66684
Spring Latch (2)



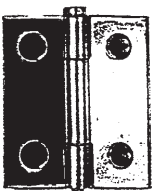
66462
Hasp (1)



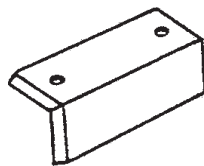
66016
Facia Cap
(1 Right and 1 Left)



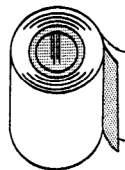
66463
Swivel Staple (1)



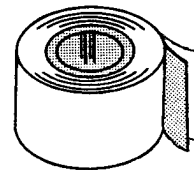
66604
Hinge (4)



66057
Trim Cap (1)



67293
Foil Tape (1)



67545
Foil Tape (1)



30028
Nameplate (1)

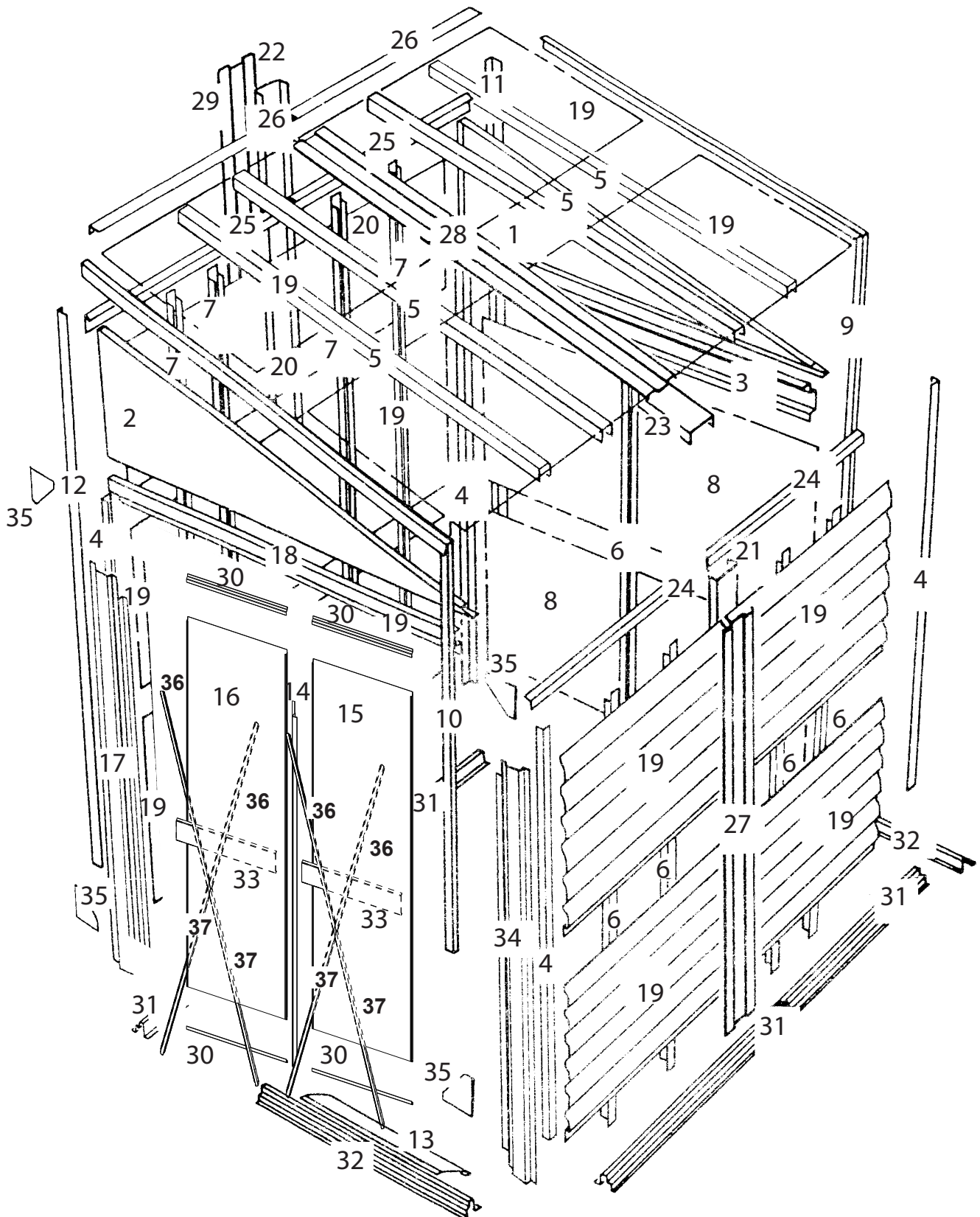
Parts List

AL12a

Assembly Key No.	Part Number	Part Description	Quantity in Carton	Check List
1	8060	Right Gable	1	
2	8061	Left Gable	1	
3	8062	Rear Header	1	
4	9793	Corner Post	4	
5	8066	Roof Frame	4	
6	8067	Siding Stud - Short	5	
7	8068	Siding Stud - Long	4	
8	8075	Rear Siding - 6 Board	2	
9	8076	Right Roof Trim	1	
10	8077	Left Roof Trim	1	
11	8078	Right Wall Trim	1	
12	8079	Left Wall Trim	1	
13	9796	Ramp	1	
14	9792	Door Stop	1	
15	9788	Right Door	1	
16	80319	Left Door	1	
17	9789	Left Door Jamb	1	
18	9791	Front Header	1	
19	8431	Side Siding - 6 Board	12	
20	8432	Top Siding - 5 Board	2	
21	8433	Siding Stud - Short	1	
22	8434	Siding Stud - Long	1	
23	8435	Roof Frame	1	
24	8437	Side Eave Frame	2	
25	8438	Side Peak Frame	2	
26	8439	Peak Trim	2	
27	8440	Bottom Siding Trim	1	
28	8441	Top Siding Trim	1	
29	8442	Rear Siding Trim	1	
30	9794	Horizontal Door Brace	4	
31	8976	Side Floor Frame	4	
32	9795	Floor Frame	2	
33	11057	Door Latch Brace	2	
34	9790	Right Door Jamb	1	
35	6481	Gusset	4	
36	11058	Diagonal Door Brace	4	
37	11059	Diagonal Door Brace	4	

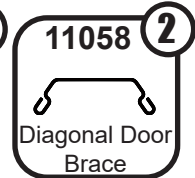
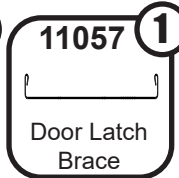
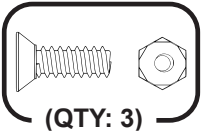
Assembly by Key No.

AL13

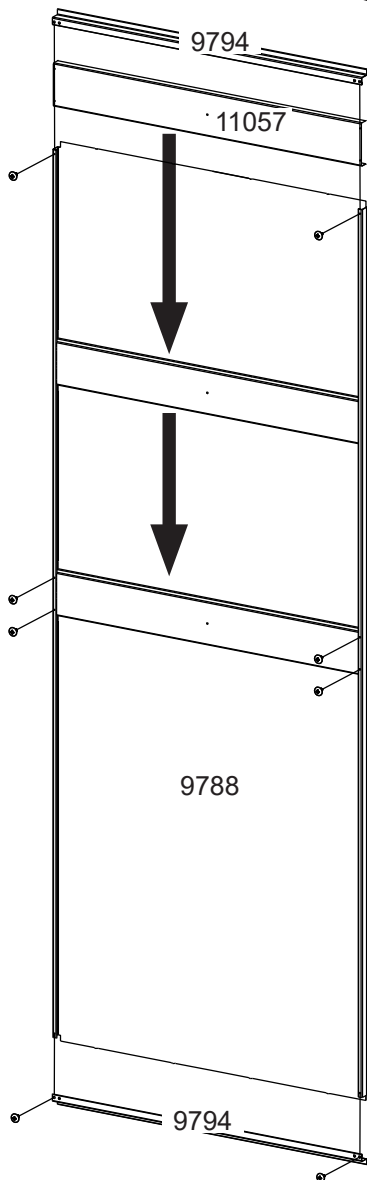
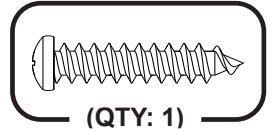
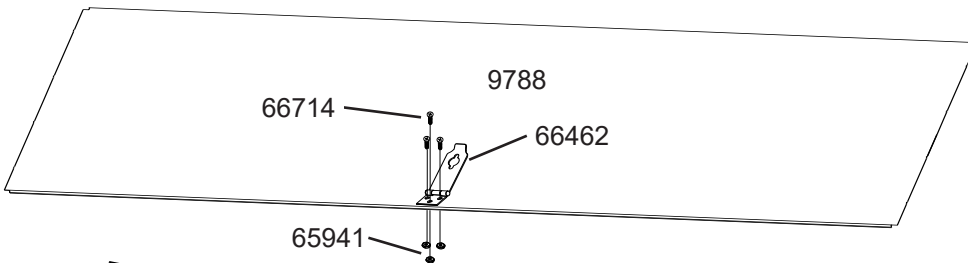


Step 1: Right Door Assembly

You will need for this page:

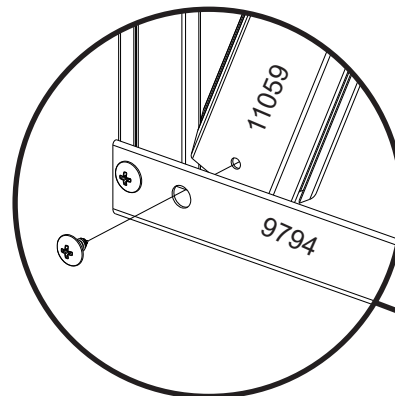
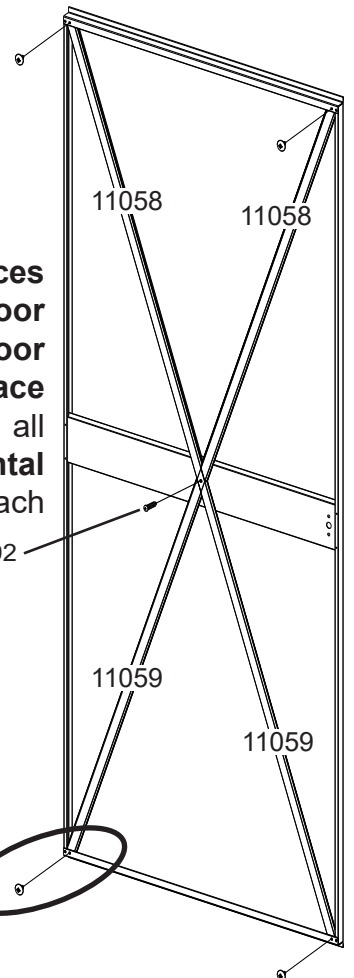


1 Attach **HASP** to **FRONT SIDE** of **RIGHT DOOR** using three (3) bolts and nuts.



2 Slide the **Door Latch Brace** into the middle of the **Door** and securing it with four (4) **Screws**. Then attach the **Horizontal Door Braces** to each end of **Door** using two (2) **Screws** on each brace.

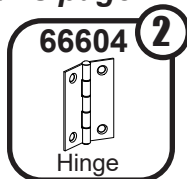
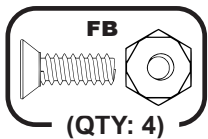
3 Place the ends of **Diagonal Door Braces** with small holes under **Horizontal Door Braces** as shown. Secure all **Diagonal Door Braces** to center of **Door Handle Brace** using one (1) **Tapping Screw**. Attach all **Diagonal Door Braces** under **Horizontal Door Braces** using four (4) **Screws** at each corner as shown.



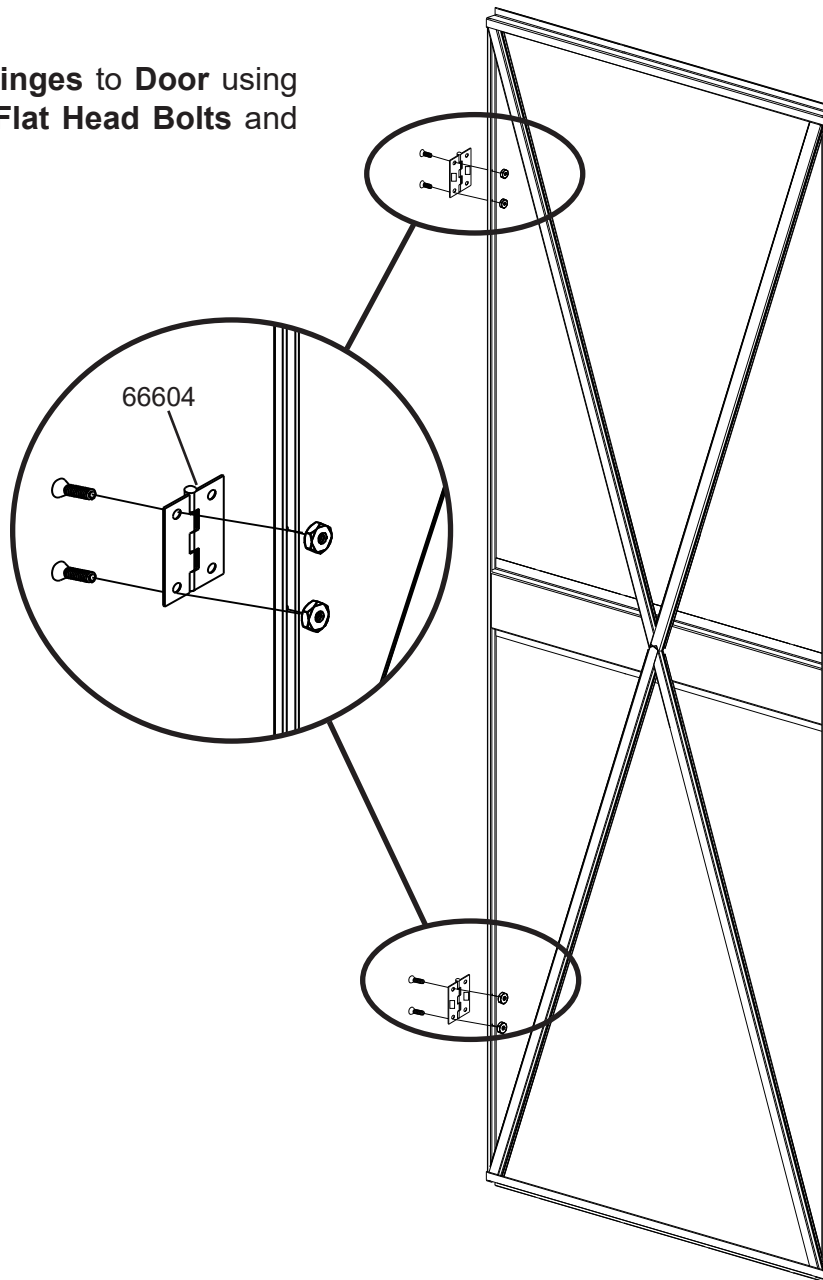
NOTE Diagonal Door Braces attach from behind Horizontal Door Brace.

Step 1: Continued

You will need for this page:

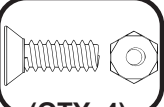

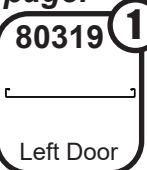







- 4** Attach Hinges to Door using four (4) Flat Head Bolts and Nuts.

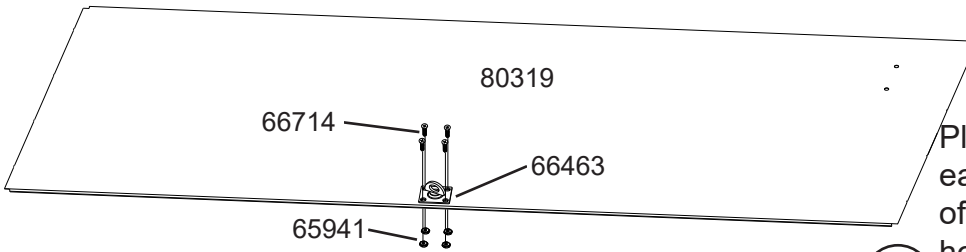



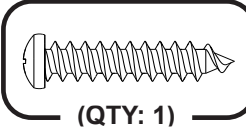
Step 2: Left Door Assembly

You will need for this page:

- 
 (QTY: 4)
- 
 (QTY: 11)
- 
 80319 **1**
- 
 9794 **2**
- 
 11057 **1**
- 
 66463 **1**
- 
 11058 **2**
- 
 11059 **2**

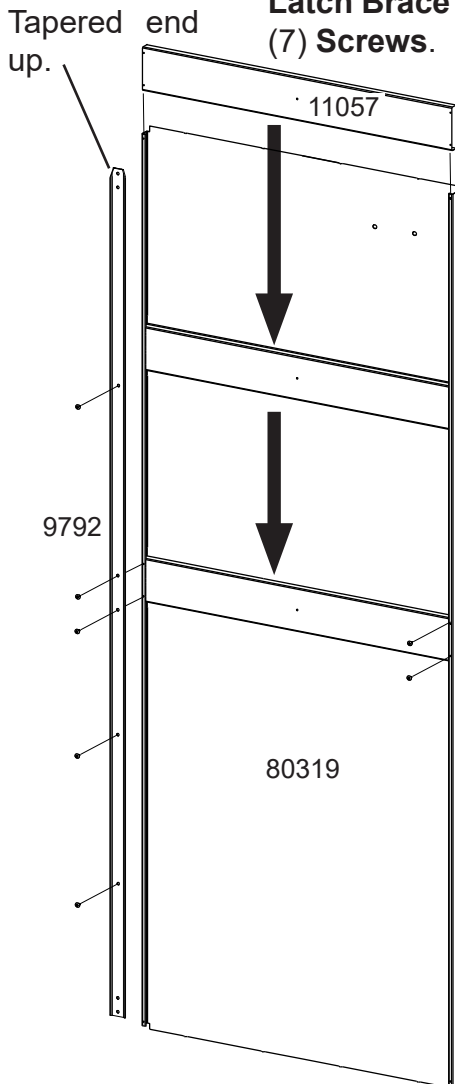
1 Attach **SWIVEL STAPLE** to **FRONT SIDE** of **LEFT DOOR** using four (4) bolts and nuts.



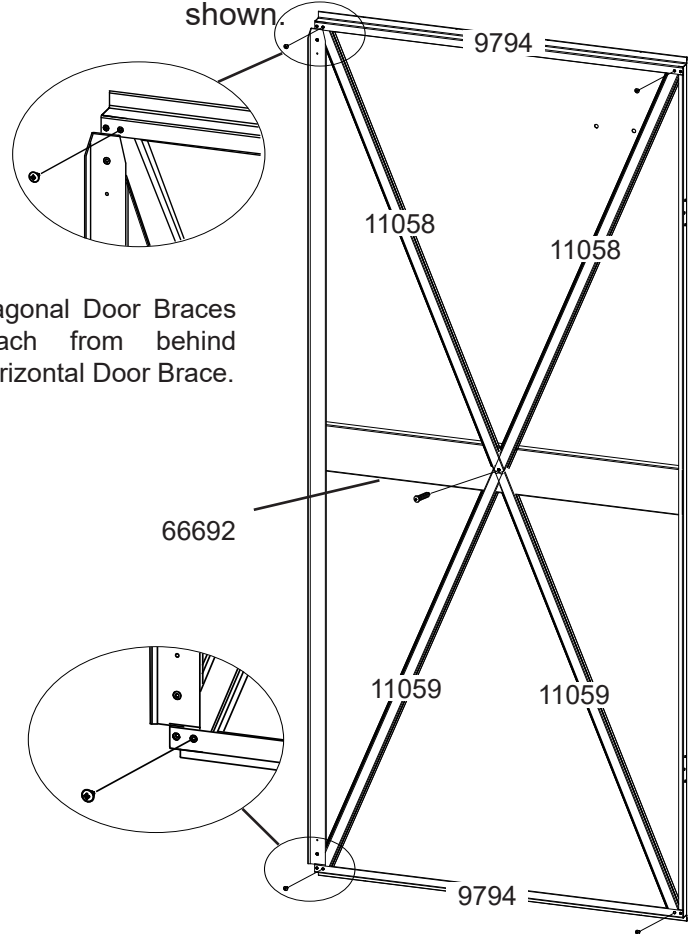
- 
 9792 **1**
- 
 (QTY: 1)

Place **Horizontal Door Braces** on each end of door. Place the ends of **Diagonal Door Braces** with small holes under **Horizontal Door Braces** as shown. Secure all **Diagonal Door Braces** to center of **Door Handle Brace** using one (1) **Tapping Screw**. Attach all **Diagonal Door Braces** under **Horizontal Door Braces** using four (4) **Screws** at each corner as shown.

2 Slide the **Door Latch Brace** into the middle of the **Door**. Attach the **Door Latch Brace** and **Door Stop** using seven (7) **Screws**.



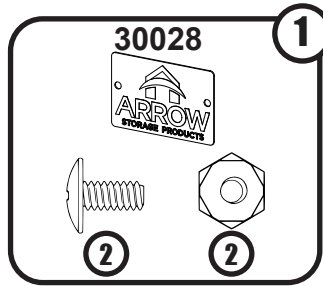
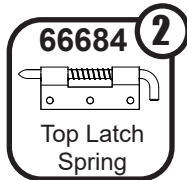
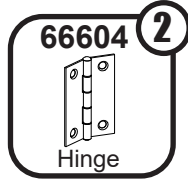
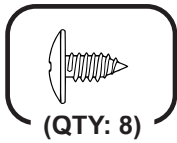
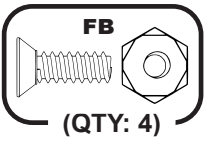
3



NOTE Diagonal Door Braces attach from behind Horizontal Door Brace.

Step 2: Continued

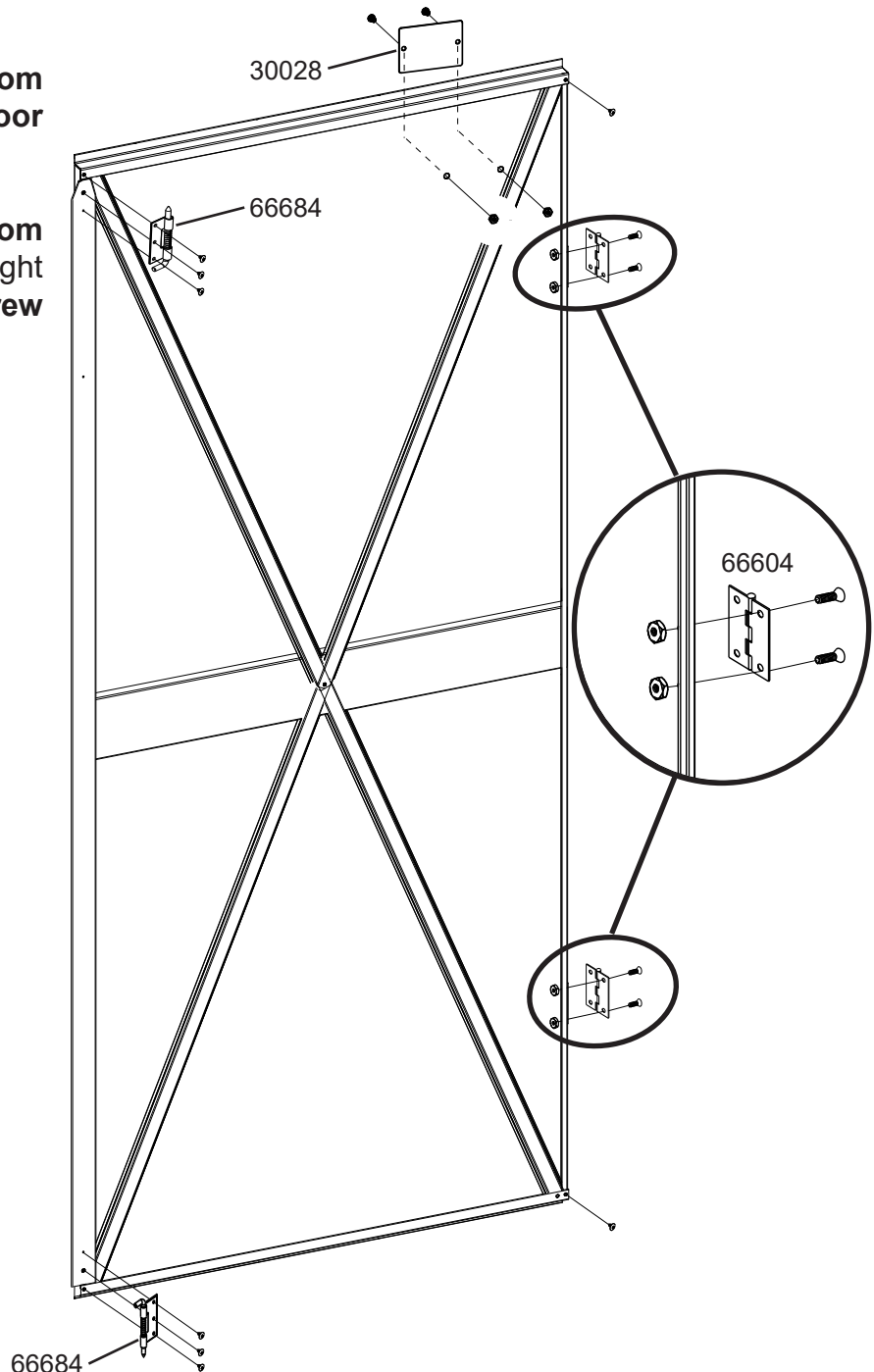
You will need for this page:



4 Attach **Hinges** to **Door** using four (4) **Flat Head Bolts** and **Nuts**.

5 Attach both **Top** and **Bottom Latch Springs** to left side of **Door** using six (6) **Screws**.

6 Attach both **Top** and **Bottom Horizontal Door Braces** to right side of **Door** using one (1) **Screw** each.



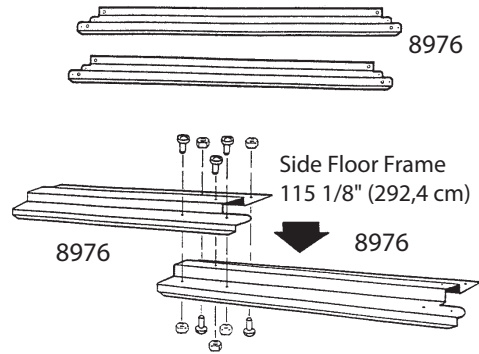
Step 3

AL18

Parts Needed For Floor Frame Assembly

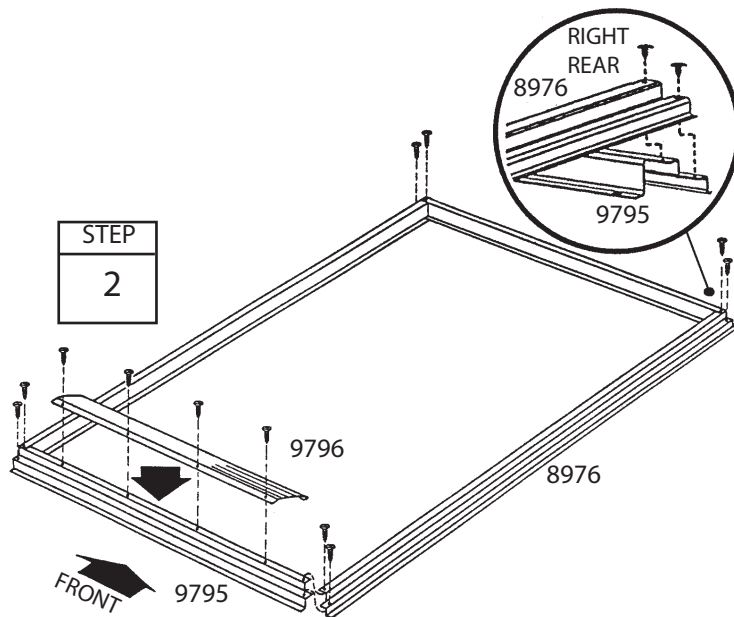
9796 Ramp (1)
9795 Floor Frame (2)
8976 Side Floor Frame (4)

1 Overlap the side floor frames as shown. The holes in these pieces will align when the pieces are positioned with correct amount of overlap. See the illustration below for the proper overall length of the side floor frames. Join the frames by inserting five bolts and nuts in each frame set as shown.



STEP
1

2 Center the ramp on top of the floor frame. Note that the door can be installed on either end. Join the frames by inserting four screws.



STEP
2

STEP
3

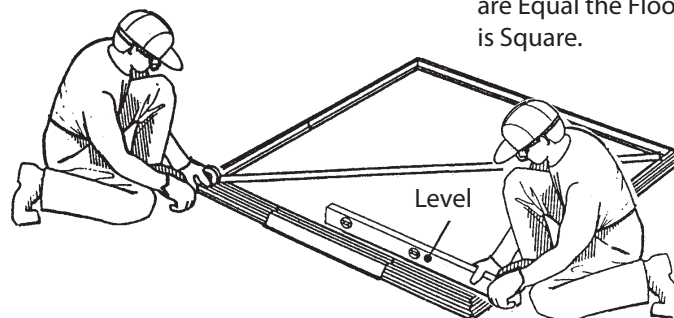
3 Assemble the four corners of the floor frame using two screws at each corner as shown.

4 Measure the floor frame diagonally. When the diagonal measurements are equal, the floor frame is square.

NOTE

If using a wood platform or concrete slab do not fasten the floor frames to your base at this time. You will anchor the building after it is erected.

When Diagonal Measurements are Equal the Floor Frame is Square.



STEP
4

The floor frame must be square and level or holes will not align.

Step 4

AK19

Parts Needed For Corner Posts/Rear Siding

9793 Corner Post (2)
8075 Rear Siding (1)

NOTE

The remainder of the building assembly requires many hours and more than one person. Do not continue beyond this point if you do not have enough time to complete the assembly today. A partially assembled building can be severely damaged by light winds.

1 Fasten two corner posts to the rear corners of the floor frame assembly using four screws.

2 Position one rear siding, starting at rear frame, between corner posts and fasten with six screws. Always use washers under the heads of fasteners where they are shown!

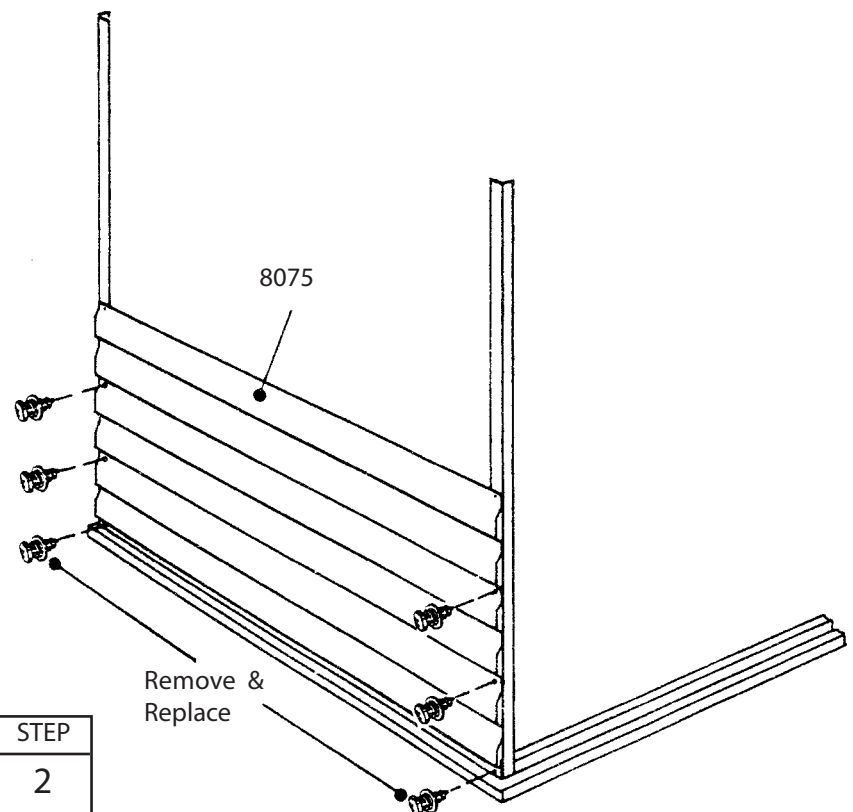
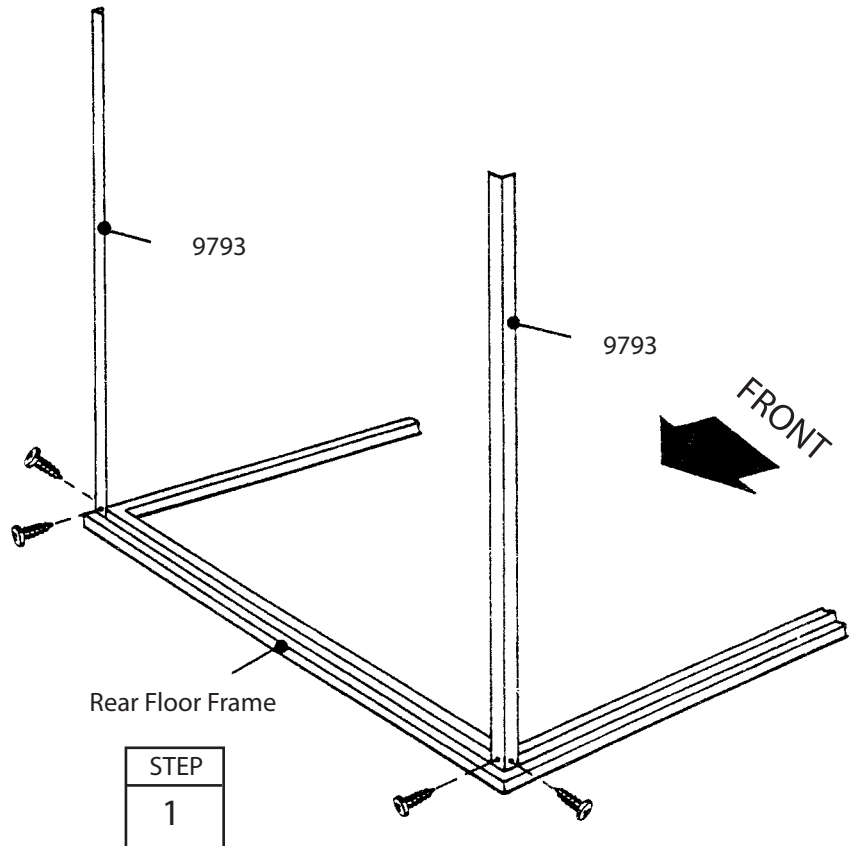


CORRECT



INCORRECT

Each siding panel has a bottom edge and a flat edge. The bottom edge always overlaps the flat edge. Keep the flat edge up. Do not fasten flat edge now.



Step 5

AL20

Parts Needed For Corner Posts/Studs/Siding

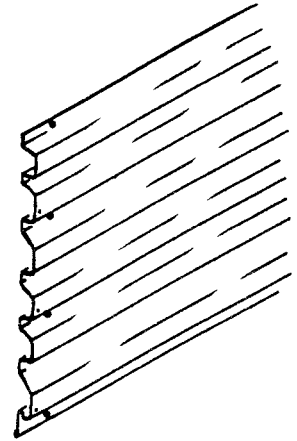
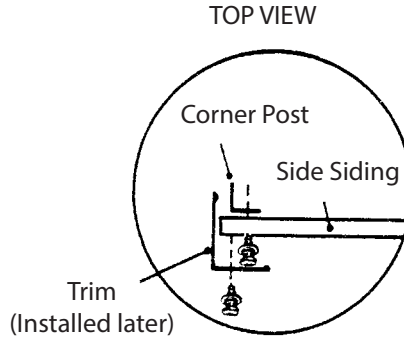
6481 Gusset (4)
9793 Corner Post (2)
8433 Siding Stud (1)
8434 Siding Stud (1)
8431 Siding Stud (1)
8431 Side Siding (4)

1 Attach a gusset to each end of the two corner posts using one screw.

2 Fasten one corner post assembly to the front corner of the floor frame assembly using two screws.

Lightly fasten tab end of siding stud to side floor frame using two screws.

Caution! Once corner post and stud are attached, fasten one side siding to the corner post and stud with fasteners shown. Repeat on rear of unit. Do not fasten flat edge now.



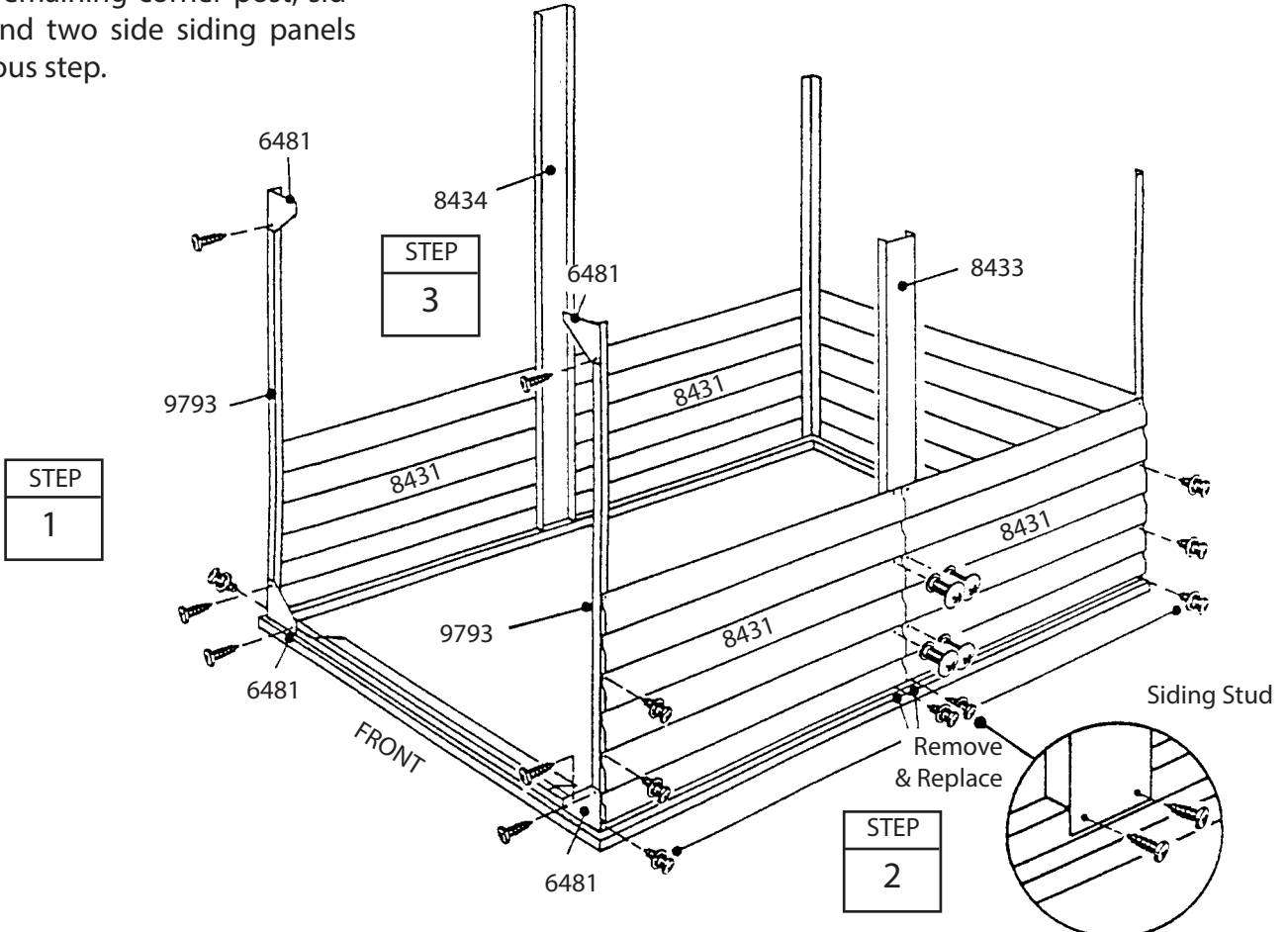
IMPORTANT

Always use 2nd set of holes from end of siding panel when attaching to corner post or stud.

NOTE

For left end door location, fasten siding studs as shown. For right end door location, reverse location of siding studs.

3 Fasten remaining corner post, siding stud and two side siding panels as in previous step.



Step 6

AL21

Parts Needed For Headers/Frames/Jambs

9791 Front Header (1)
8437 Side Eave Frame (2)
8062 Rear Header (1)
9789 Left Door Jamb (1)
9790 Right Door Jamb (1)

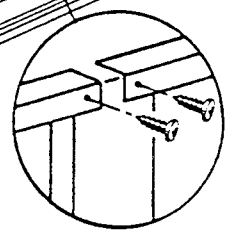
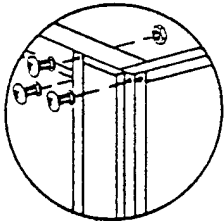
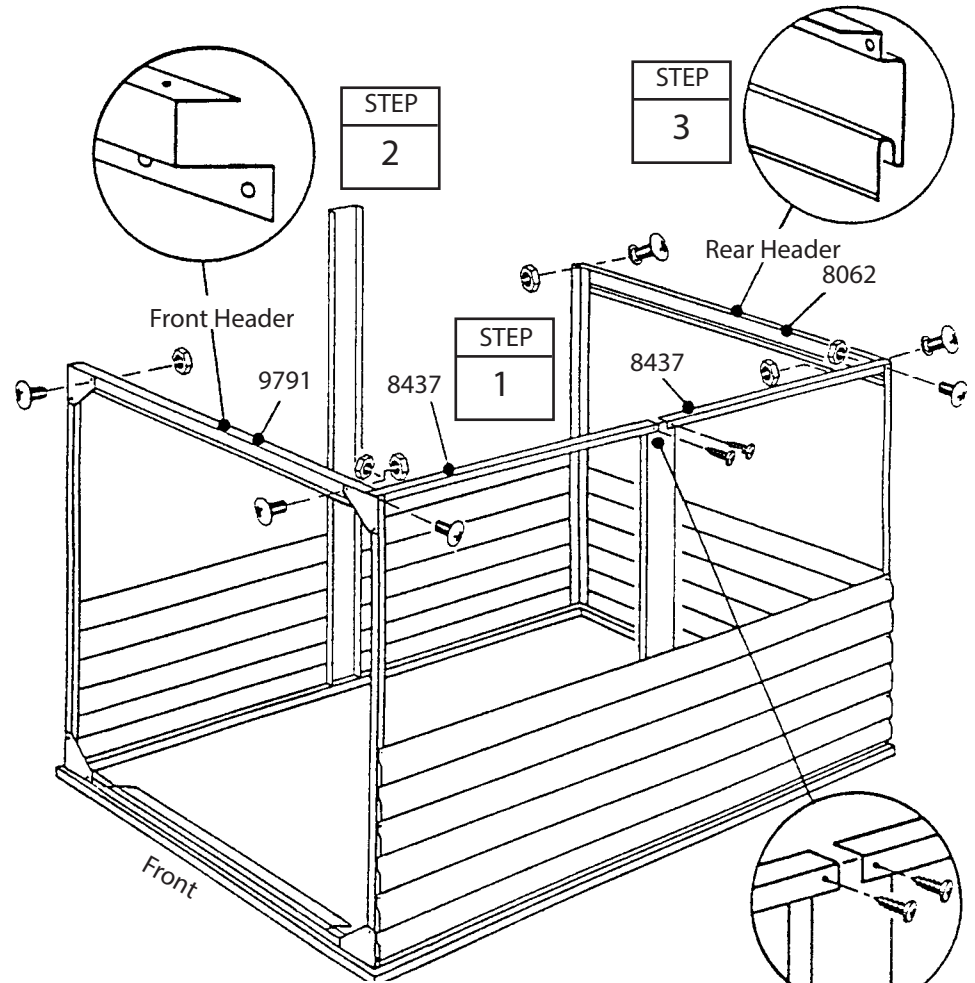
1 Fasten side eave frames behind top of corner post with a bolt and nut, and over siding stud using a screw, top leg facing inside building. Note: For left end door location, fasten side eave frames as shown.

For right end door location fasten side eave frames on opposite side of building.

2 Fasten front header behind top of corner posts/gussets using one bolt and nut on each end.

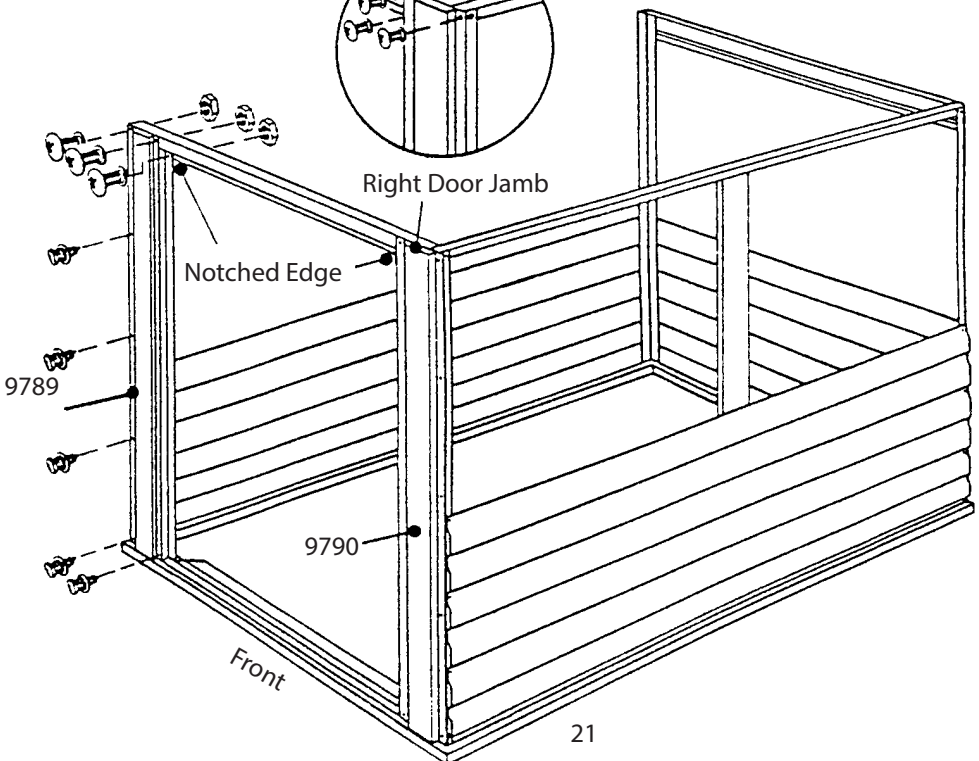
3 Fasten rear header across top of corner posts using one bolt and nut on each end. Note that side eave frames overlaps front & rear headers.

4 Attach right & left door jambs to the front header using bolts and nuts, and to the corner posts and front floor frame using screws.



Side Eave Frame

STEP
4



Step 7

AL22

Parts Needed For Side/Rear Siding/Studs

8431 Side Siding (4)
8075 Rear Siding (1)
8067 Siding Stud (5)
8068 Siding Stud (4)

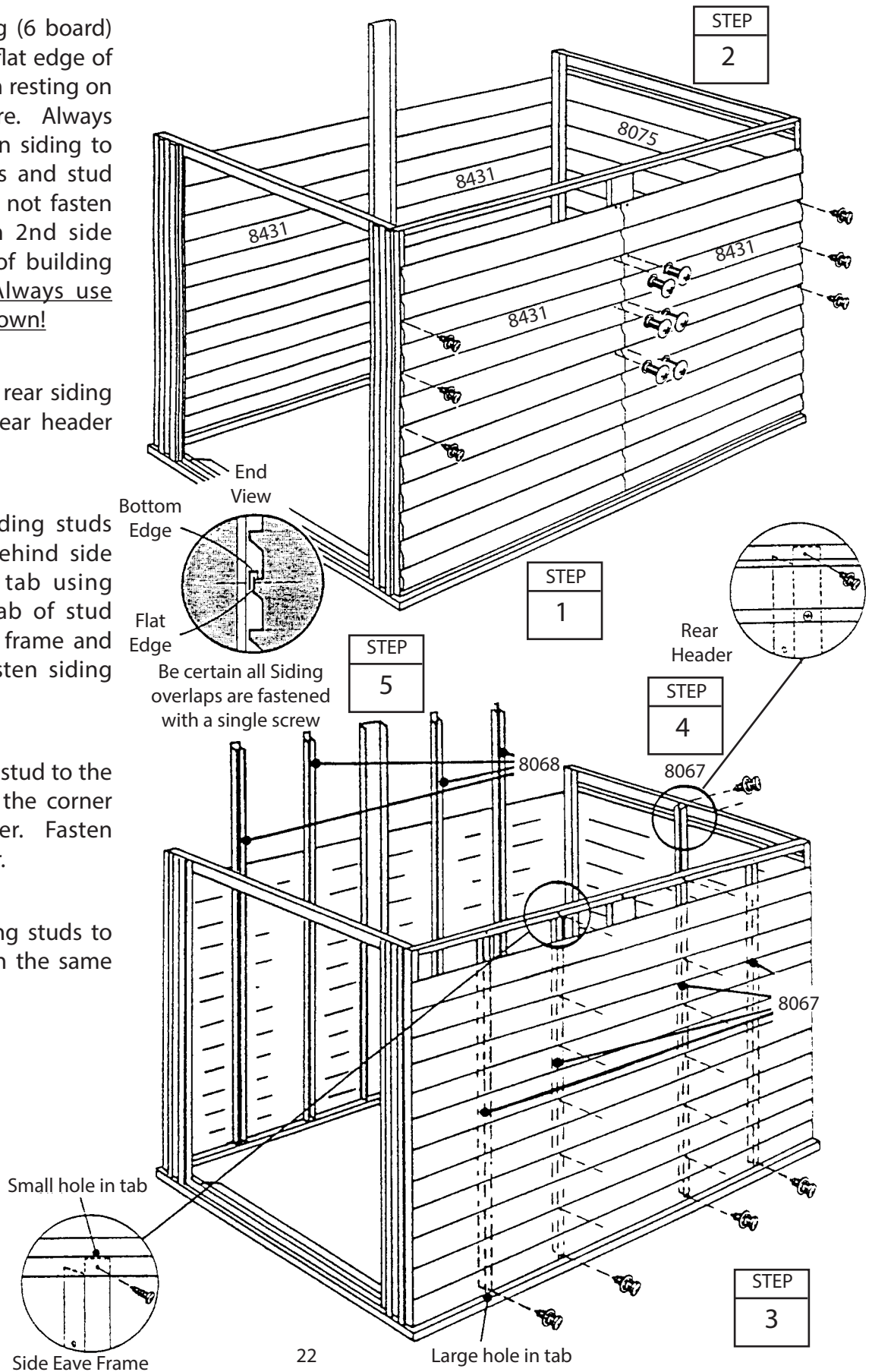
1 Position the side siding (6 board) to corner posts and stud, flat edge of siding upward and bottom resting on 1st side siding. See figure. Always follow this pattern. Fasten siding to corner posts using screws and stud using bolts and nuts. Do not fasten flat edge now. Position 2nd side siding on opposite side of building and fasten as before. Always use washers where they are shown!

2 Repeat procedure with rear siding panel. Fasten siding to rear header to complete rear siding.

3 Position four short siding studs between corner posts, behind side eave frame, and fasten tab using a screw. Rest bottom tab of stud between siding and floor frame and fasten with a screw. Fasten siding to studs, as shown.

4 Fasten one short siding stud to the rear of building between the corner posts in the same manner. Fasten top tab behind rear header.

5 Position four long siding studs to the left side of building in the same manner using screws.



Step 8

AL23

Parts Needed For Gables/Peak/Roof Frames

8061 Left Gable (1)
8060 Right Gable (1)
8438 Side Peak Frame (2)
8066 Roof Frame (4)
8435 Roof Frame (1)

NOTE

The gables are packed nested together and might be mistaken as one piece. Carefully separate them before continuing.

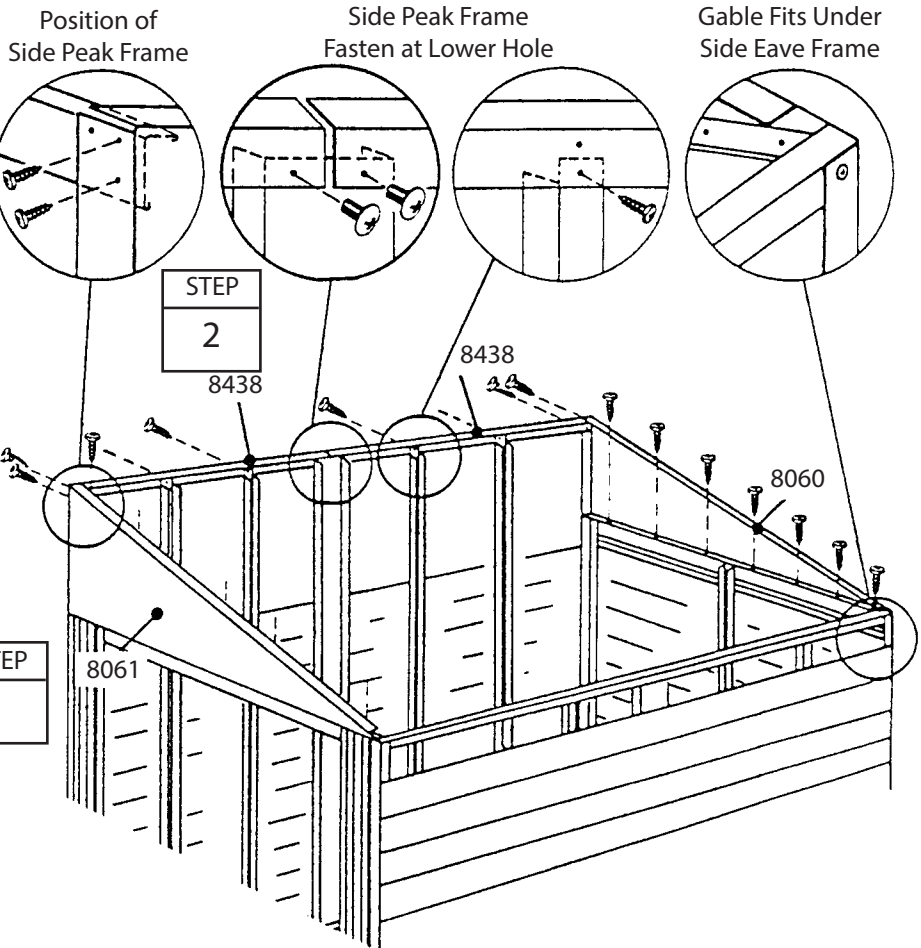
1 Lift and fasten a left gable on top of header, with lower leg under side eave frame at corner, using screws.

Repeat Step 1 with right gable for the opposite side of building.

2 Fasten side peak frames to the inside top corners of gables using two screws, top shorter leg facing inside building. Fasten opposite ends over siding stud at the lower hole using a bolt and nut. Fasten top tab of the siding studs to the lower hole in side peak frame using screws.

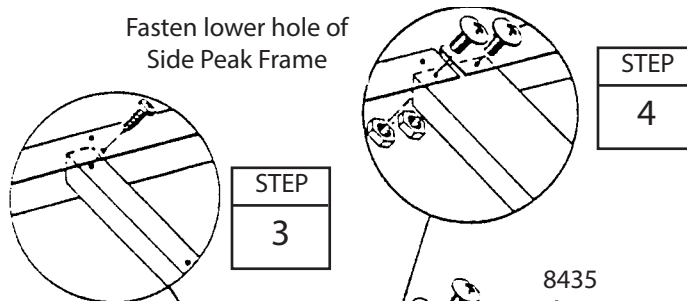
3 Position roof frames under side peak and eave frames. Be sure the end of frame with the shortest space between the 1st and 2nd hole is positioned at the lower side eave frames, and fasten using screws.

4 Position roof frame in the same manner at the middle of building and fasten using four bolts and nuts.



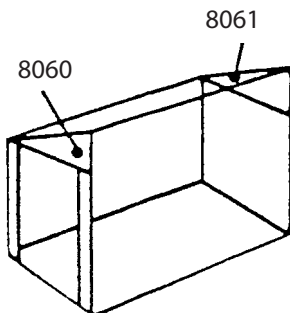
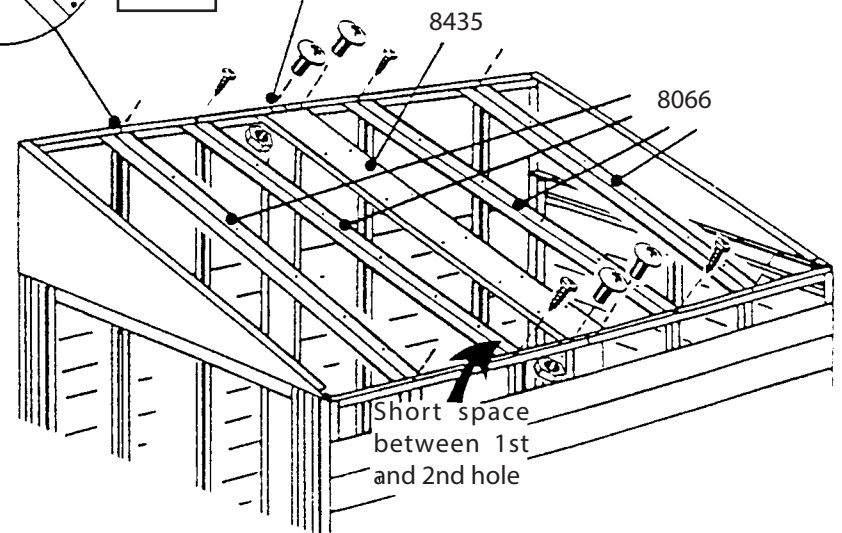
STEP
1

Fasten lower hole of
Side Peak Frame



STEP
3

STEP
4



Right End
Door Location

Step 9

AL24

Parts Needed For Side Siding/Foam Tape

8431 Side Siding (4)

Installing the siding to the roof is best done with a step ladder.

NOTE

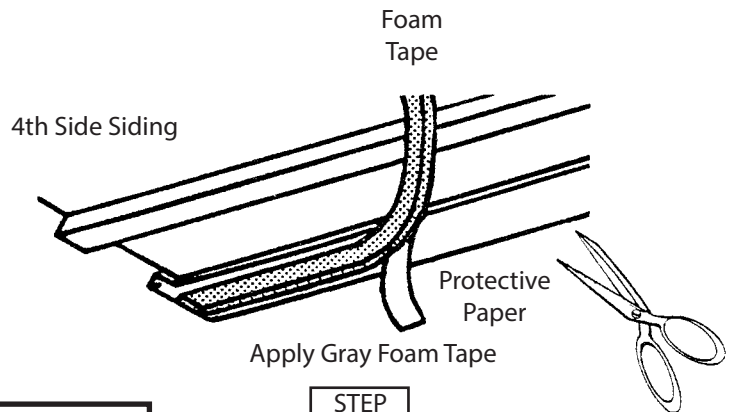
Measure the building diagonally again and make adjustments to make sure the building is square. This will make the siding fit better, and holes will align.

1 After the 3rd side siding is fastened to the 2nd, roll it over on the roof and fasten as before.

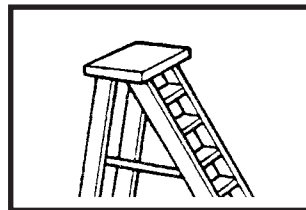
2 Apply gray foam tape along lower bottom edge of the 4th side siding by removing protective paper and pressing on edge of leg. Cut tape to proper length.

3 Fasten 4th side siding to the 3rd but do not fasten top edge at this time.

4 Apply foil tape to seam between siding, pressing into contour of siding from floor frame to top of roof.



STEP
2

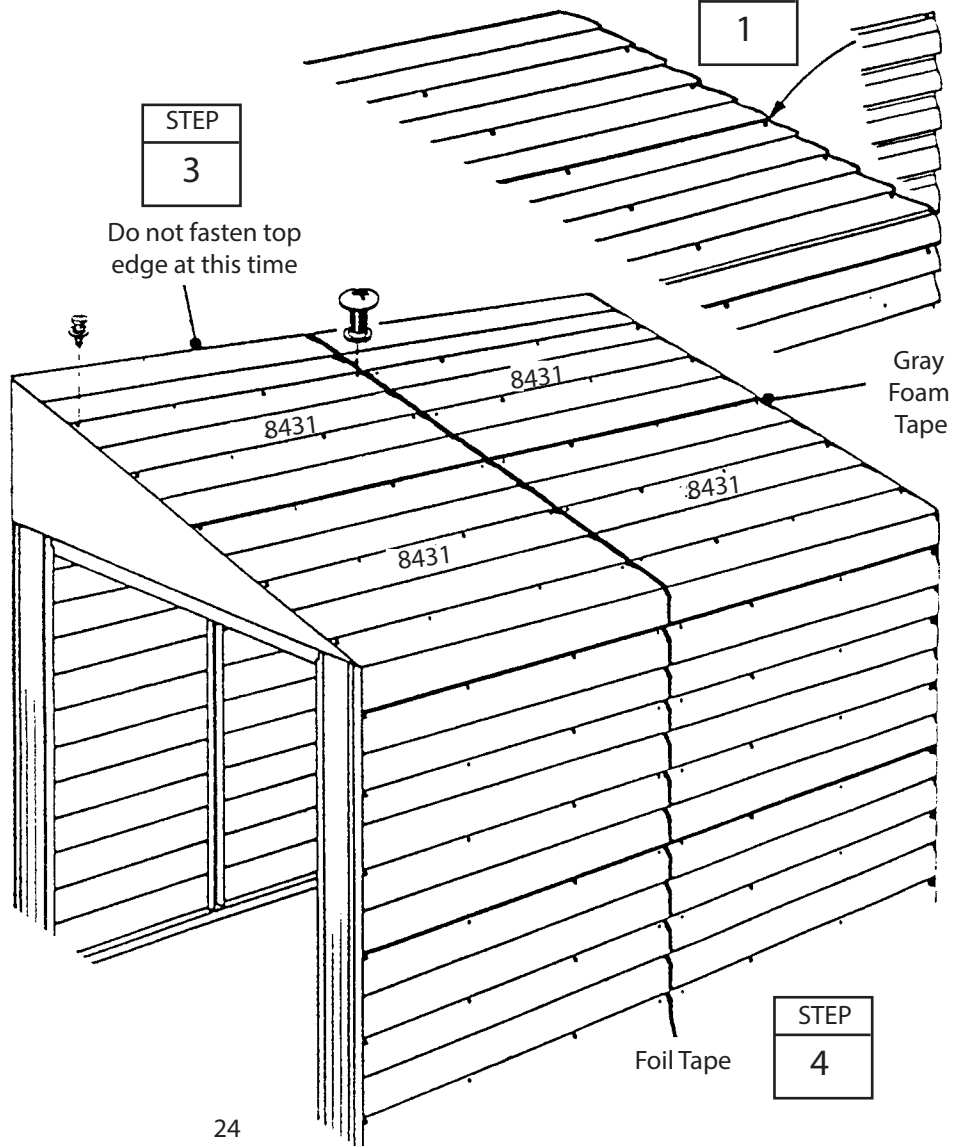


Roll Side Siding over onto Roof

STEP
1

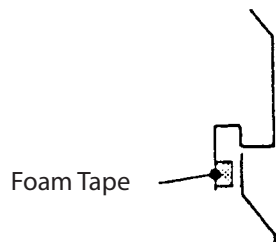
STEP
3

Do not fasten top edge at this time



STEP
4

End View



Step 10

AL25

Parts Needed For Top Siding/Trim

8432 Top Siding (2)
8439 Peak Trim (2)
8442 Rear Siding Trim (1)
8078 Right Wall Trim (1)
8079 Left Wall Trim (1)
8076 Right Roof Trim (1)

8077 Left Roof Trim (1)
8440 Bottom Siding Trim (1)
8441 Top Siding Trim (1)

1 Fasten remaining top siding (5 board), to the top side of building.

2 Fasten peak trim to peak of roof using screws thru siding into frame.

3 Apply foil tape by overlapping siding by 1/2" (13 mm), pressing firmly into contour of siding, from top to bottom of gables. Rub for good adhesion. Do not cut tape, let roll hang free until ready to use on next panel. When complete, press opposite side down to gable. The purpose of this is to seal out the weather.

4 Apply foil tape to siding seam as before. Fasten rear siding trim to siding using screws.

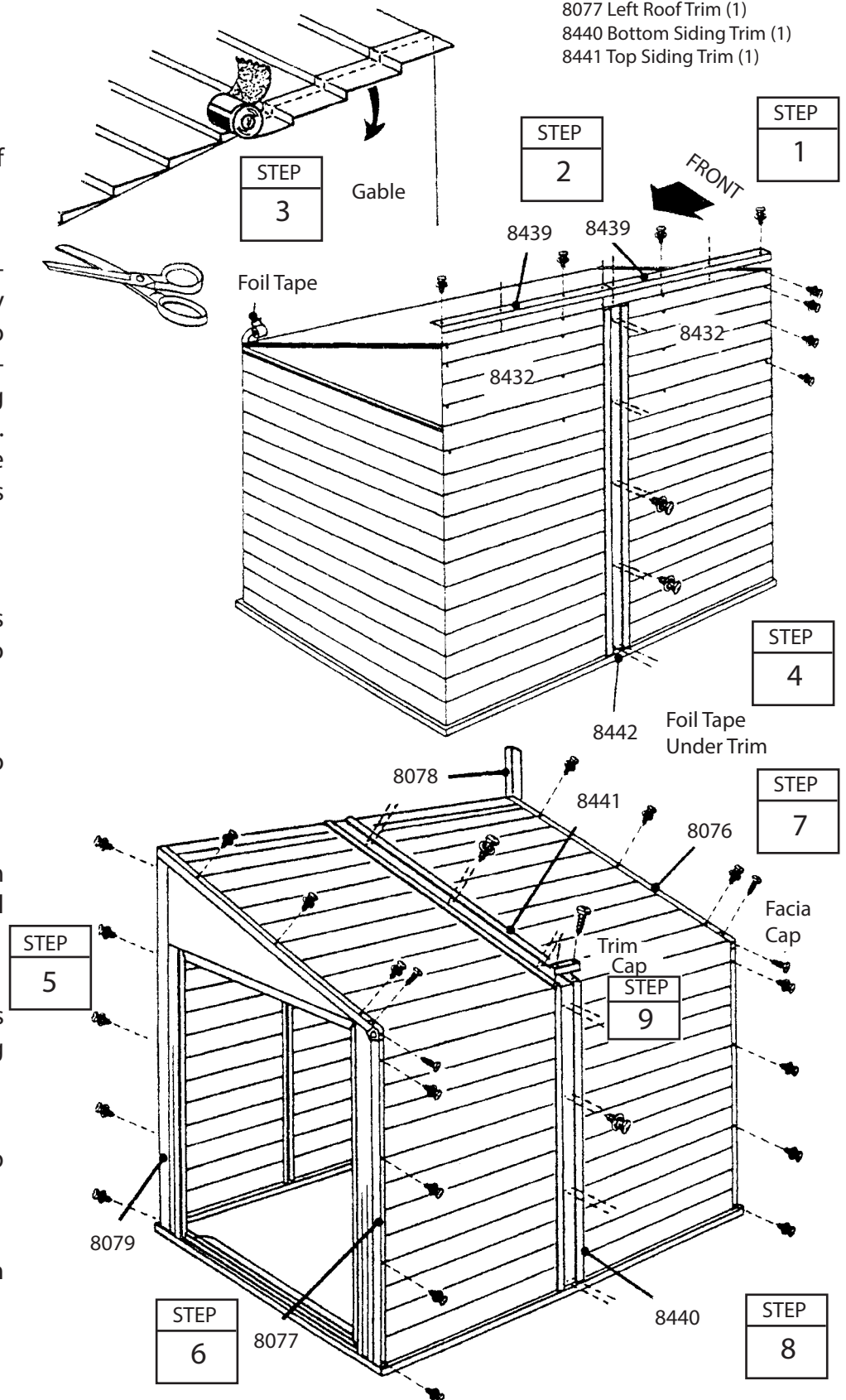
5 Fasten right and left wall trim to side corners of building using screws.

6 Fasten right and left roof trim to the ends of roof, overlapping wall trim, using screws.

7 Fasten right and left fascia caps at the breaks in the roof trim, using screws.

8 Fasten bottom siding trim & top siding trim to siding using screws.

9 Fasten trim cap to seam between top and bottom trim using screws.



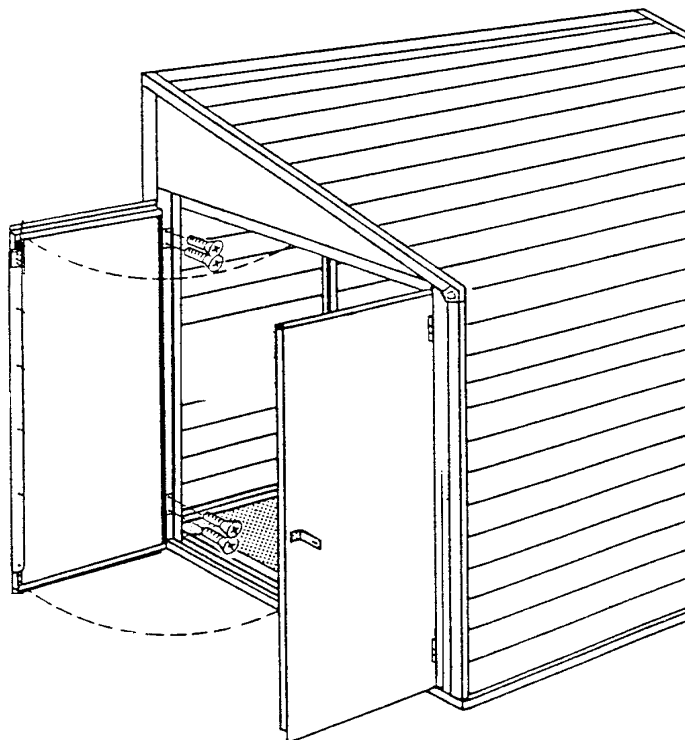
Step 11

AK26

Parts Needed For Door Assembly

Right Door Assembly (1)
Left Door Assembly (1)

1 Position doors in corners of door opening as shown and fasten hinges with 7/16" (11 mm) flat head bolts and #6 hex nuts. When spring latch is engaged with hole in header or ramp, these will hold left door closed when not in use. The spring latch can be used to keep doors closed, or used with a padlock (not supplied) to lock doors.



Anchoring and Floor Frame

FA27a

Anchoring

Anchor your building at this time.

Floor Frame

If you have purchased a Floor Frame Kit you need to install it at this time.

SOME FACTS ABOUT RUST

Rusting is a natural oxidizing process that occurs when bare metal is exposed to moisture. Problem areas include screw holes, unfinished edges, or where scrapes and nicks occur in the protective coating through normal assembly, handling and use. Identifying these natural rusting problem areas and taking some simple rust protection precautions can help to stop rust from developing, or stop it quickly as soon as it appears.

1. Avoid nicking or scraping the coating surface, inside and out.
2. Use all the washers supplied. In addition to protecting against weather infiltration, the washers protect the metal from being scraped by the screws.
3. Keep roof, base perimeter and door tracks free of debris and leaves which may accumulate and retain moisture. These can do double damage since they give off acid as they decay.
4. Touch up scrapes or nicks and any area of visible rust as soon as possible. Make sure the surface is free of moisture, oils, dirt or grime and then apply an even film of high quality touch-up paint.

