

ShelterCoat™

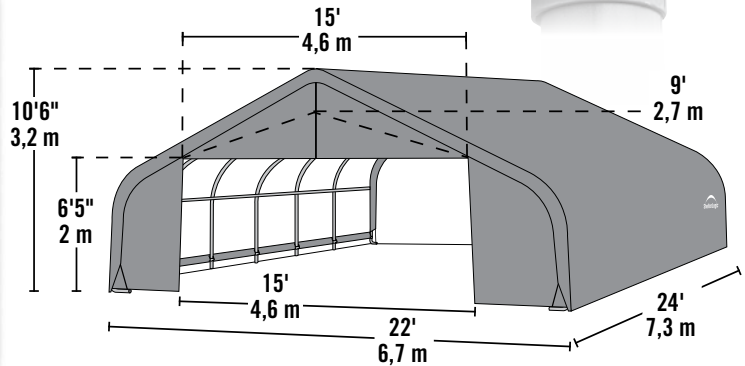
Custom Garage Program

Build your Own All-Season Shelter

Thousands of options to custom fit your storage needs.



22 x 20 x 11' model shown



Strong, Sturdy & Durable

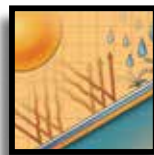
- Patented ShelterLock® frame stabilizers at every rib connection for rock-solid strength.
- Frame constructed of heavy duty 2-3/8 in. diameter steel.
- Premium powder coat finish protects frame from corrosion and rust.
- Ripstop-tough advanced engineered polyethylene fabric cover protects what's within from the elements.
- Seams are heat welded, not stitched; 100% waterproof.
- Ratchet tensioning system and Easy-Slide cover rails keep the cover smooth and taut.



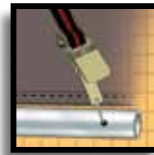
ShelterLock®



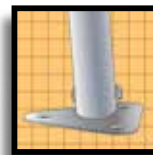
Bolt Frame



Fabric Cover



Ratchet Tensioning



Steel foot plates

22 x 24 x 11 ft.

Unit Specifications:

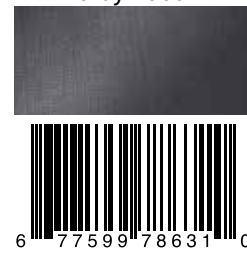
- 705.8 lbs. / 320.1 kg Total Weight
- 2-3/8 in. / 6 cm All steel frame
- 30 in. / 76,2 cm Auger anchors
- (2) Triple-zippered door panels
- Additional anchors sold separately
- Cover, End Panels and Frame are covered by a 1 year Limited Warranty.

Kit Dimensions:

- Box 1:** 61 x 21.9 x 9.6 in.
155 x 56 x 25 cm
- Box 2:** 61 x 21.9 x 4.9 in.
155 x 56 x 13 cm
- Box 3:** 52 x 19.5 x 7.7 in.
132 x 50 x 20 cm
- Box 4:** 60.8 x 17.7 x 4.9 in.
155 x 45 x 13 cm
- Box 5:** 42.5 x 19.1 x 7.9 in.
108 x 49 x 20 cm

9 oz. per m² Polyethylene

Gray 78631



Green 78641

