

ShelterCoat™

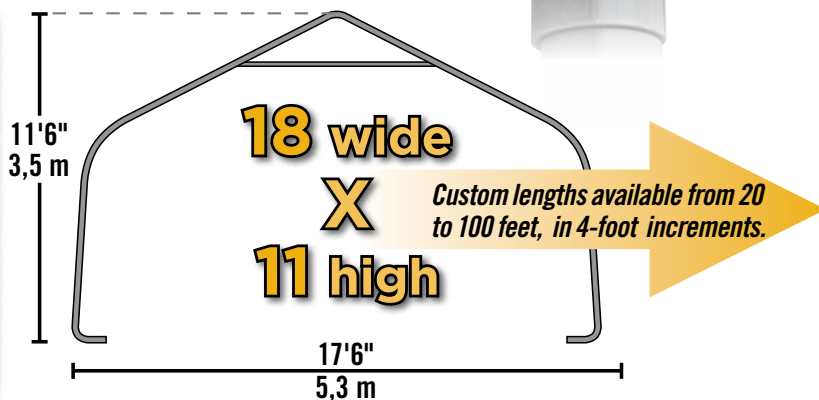
Custom Garage Program

Build your Own All-Season Shelter

Thousands of options to custom fit your storage needs.



18 x 20 x 9' model shown



Strong, Sturdy & Durable

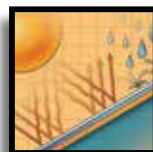
- Patented ShelterLock® frame stabilizers at every rib connection for rock-solid strength.
- Frame constructed of heavy duty 15-gauge steel.
- Premium powder coat finish protects frame from corrosion and rust.
- Ripstop-tough advanced engineered polyethylene fabric cover protects what's within from the elements.
- Seams are heat welded, not stitched; 100% waterproof.
- Ratchet tensioning system and Easy-Slide cover rails keep the cover smooth and taut.



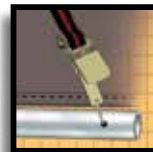
ShelterLock®



Bolt Frame



Fabric Cover



Ratchet Tensioning



Steel foot plates

Options and Specs: 18 x 11 Peak

Cover Fabrics

| | | | | | |
|--|--------------|-------|-------|-------------|-----|
| Standard Duty: 9 oz./m2 Polyethylene | Green | Gray | White | Translucent | Tan |
| Heavy Duty: 14.5 oz./m2 PVC* | Hunter Green | White | Tan | Gray | |
| Ultra Duty: 21.5 oz./m2 PVC* | Hunter Green | White | | | |

*Fire rated FR fabric CPAI 84 Section 6 and NFPA 701 compliant.

- Frame: 2 3/8" / 6 cm diameter steel pipe.
- Temporary anchors included (additional sold separately).
- 2 double-zippered door end panels.

Warranty

| | | | |
|----------------------|-------------------|------------------------|------------------|
| Standard Duty | 1 year | 1 year | 3 years Prorated |
| Heavy Duty | 10 years Prorated | 3 years Prorated | 3 years Prorated |
| Ultra Duty | 15 years Prorated | 3 years Prorated | 3 years Prorated |
| | Cover | Back panel/door | Frame |

