

ShelterCoat™

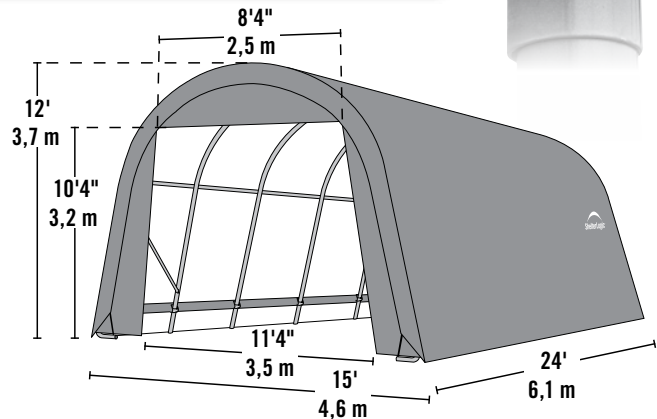
Custom Garage Program

Build your Own All-Season Shelter

Thousands of options to custom fit your storage needs.



15 x 28 x 12' model shown



Strong, Sturdy & Durable

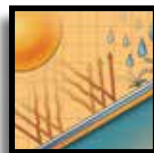
- Patented ShelterLock® frame stabilizers at every rib connection for rock-solid strength.
- Frame constructed of heavy duty 2-3/8 in. diameter steel.
- Premium powder coat finish protects frame from corrosion and rust.
- Ripstop-tough advanced engineered polyethylene fabric cover protects what's within from the elements.
- Seams are heat welded, not stitched; 100% waterproof.
- Ratchet tensioning system and Easy-Slide cover rails keep the cover smooth and taut.



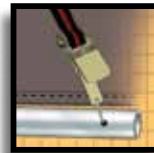
ShelterLock®



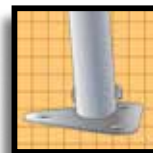
Bolt Frame



Fabric Cover



Ratchet Tensioning



Steel foot plates

15 x 24 x 12 ft.

Unit Specifications:

- 567.6 lbs. / 257.5 kg Total Weight
- 2-3/8 in. / 6 cm All steel frame
- 30 in. / 76.2 cm Auger anchors
- (2) Double-zippered door panels
- Additional anchors sold separately
- Cover, End Panels and Frame are covered by a 1 year Limited Warranty.

Kit Dimensions:

- Box 1:** 81.5 x 18.9 x 6.4 in.
207 x 48 x 16 cm
- Box 2:** 70.7 x 21.3 x 7.3 in.
180 x 54 x 18.5 cm
- Box 3:** 49.8 x 18.9 x 7.9 in.
126.5 x 48 x 20 cm
- Box 4:** 81.9 x 19.7 x 4.9 in.
208 x 50 x 13 cm
- Box 5:** 42.5 x 19.1 x 7.7 in.
108 x 48.5 x 20 cm

9 oz. per m² Polyethylene

Gray 95360



Green 95361

