

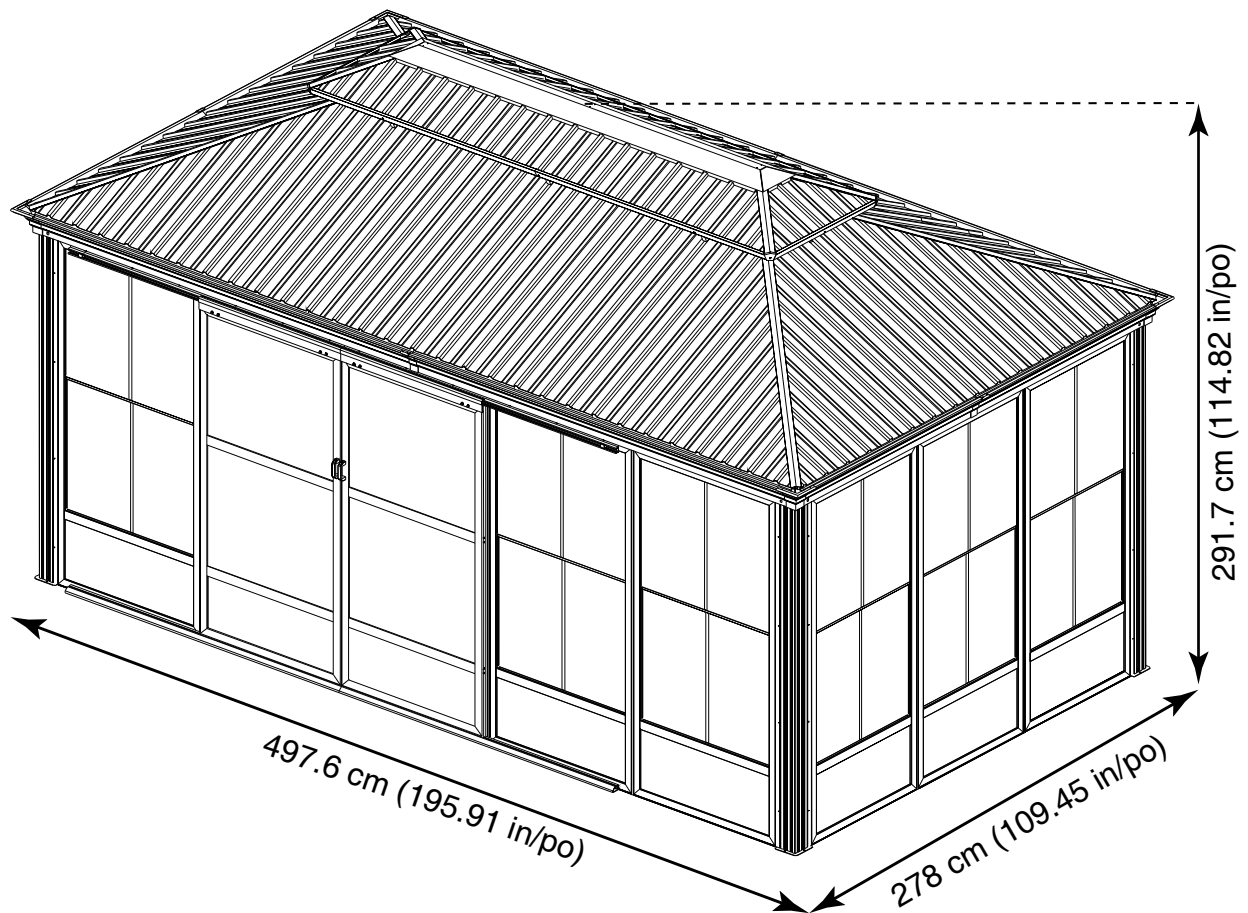
# SOJAG

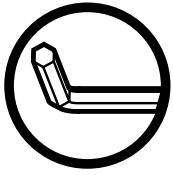
produits saisonniers • seasonal products



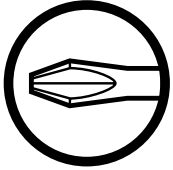
QUESTIONS? 1 866-901-1649

## Assembly Manual / Guide d'assemblage / Manual de ensamblaje / 조립설명서 / Montageanleitung





Use the hex keys in the box. / Utilisez les clés hexagonales fournies dans la boîte. / Utilice las llaves hexagonales en la caja. / 상자에 육각 키를 사용 하십시오. / Verwenden Sie die Sechskantschlüssel in der Box.



Please use a Phillips screwdriver. / Utilisez un tournevis de type Phillips / Por favor, use un destornillador Phillips. / 십자 드라이버를 사용 하십시오. / Bitte verwenden Sie einen Kreuzschraubenzieher.



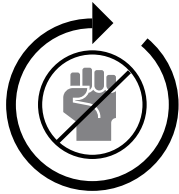
You may need to use a drill for this step. / Vous pouvez avoir besoin d'utiliser une perceuse pour cette étape. / Puede que tenga que utilizar un taladro para este paso. / 이 단계에선 드릴을 사용해야 할 수도 있습니다. / Für diesen Schritt können Sie einen Bohrer verwenden.



Wearing protective gloves is recommended. / Le port de gants de protection est recommandé / El uso de guantes de protección se recomienda. / 보호 장갑을 착용 하는 것이 좋습니다. / Das Tragen von Schutzhandschuhen wird empfohlen.



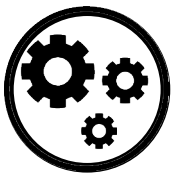
Two or more people are required at this stage. / Deux personnes ou plus sont nécessaires à cette étape. / Dos o más personas se requieren en esta etapa. / 이 단계에서는 두 명 이상이 필요합니다. / Für diesen Bauschritt sind 2 oder mehr Personen erforderlich.



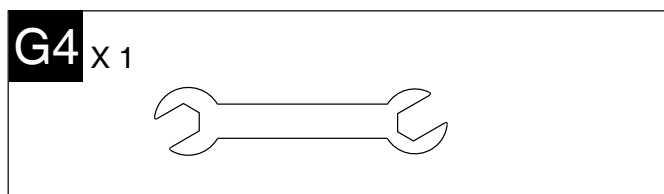
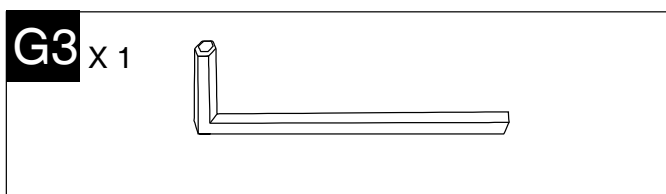
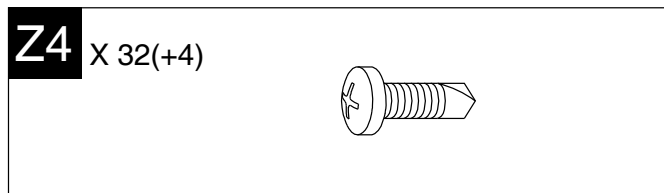
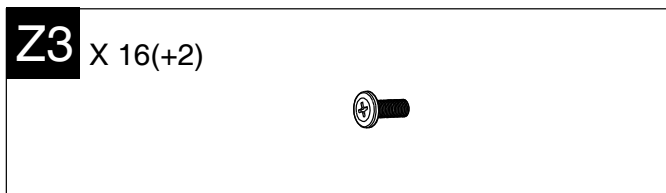
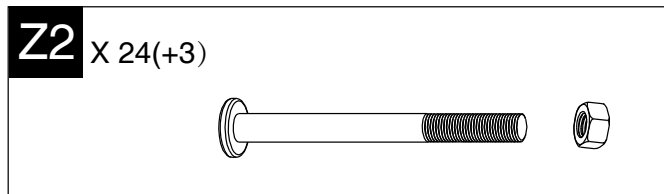
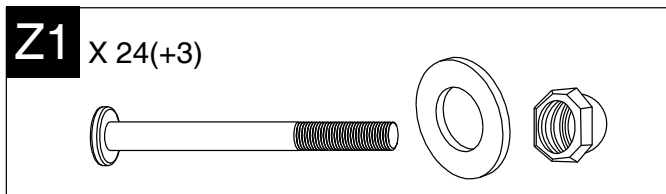
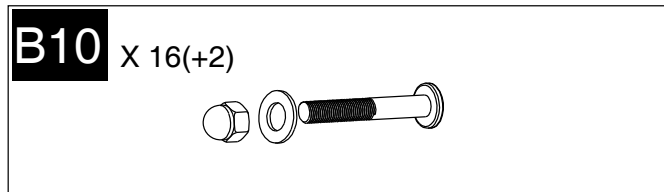
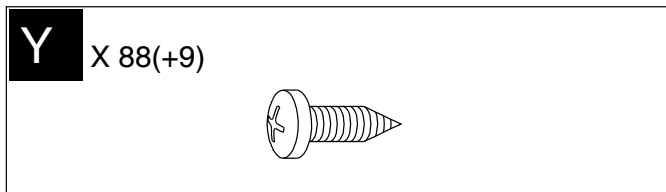
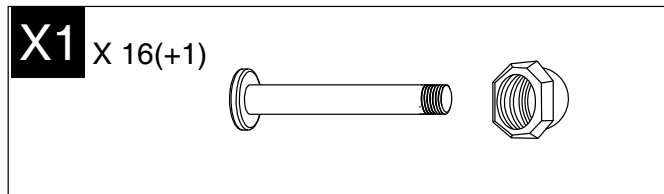
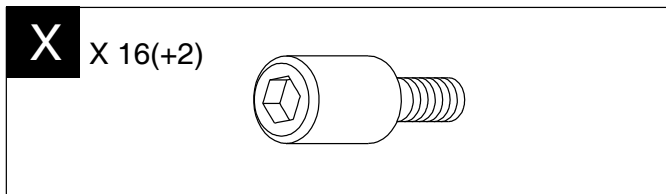
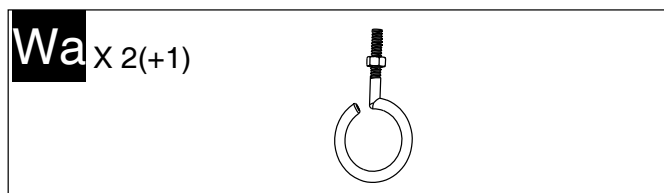
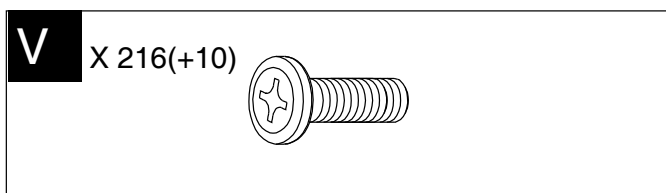
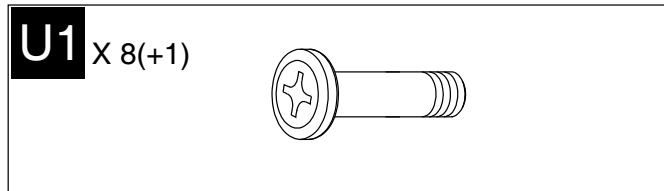
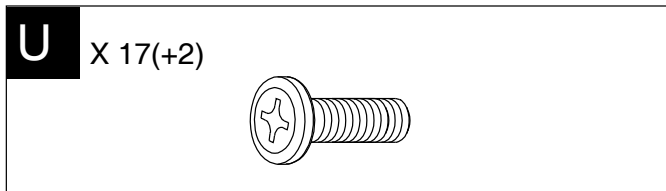
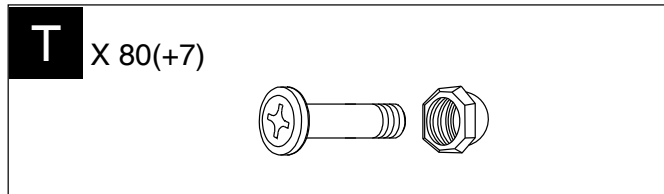
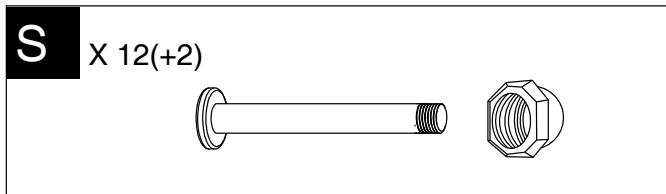
Do not tighten screws all the way for now. / Ne pas visser fermement pour l'instant. / No atornille con firmeza por ahora. / 아직 나사를 단단히 조이지 마십시오. / Bitte die Schrauben zum jetzigen Zeitpunkt noch nicht fest anziehen.



Sold separately. / Vendus séparément. / vendido en las opciones. / 옵션 판매 / Optional erhältlich



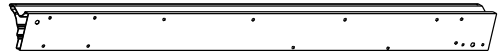
Optional step / Étape optionnelle / Paso opcional / 선택적 단계 / Optionaler Schritt



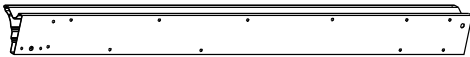
**A** X4



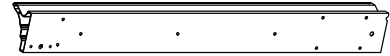
**B** X2



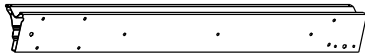
**B1** X2



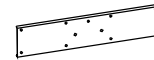
**C1** X2



**C** X2



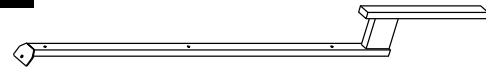
**D** X4



**E** X4



**E1** X8



**F** X4



**F1** X2



**F2** X2



**F3** X2



**F4** X2



**F5** X2

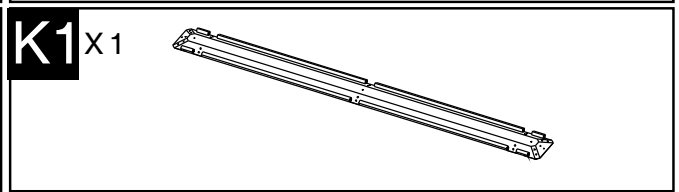
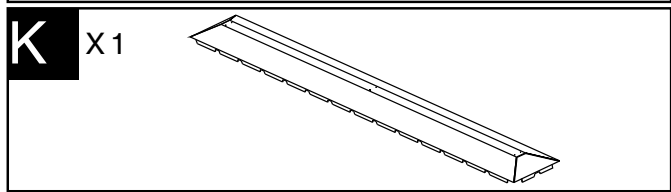
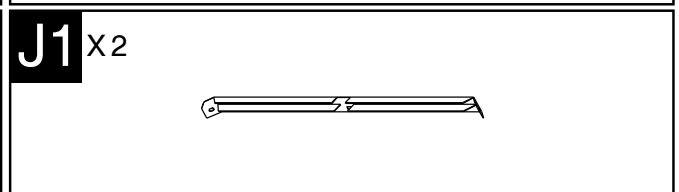
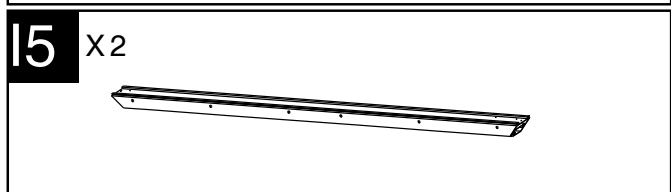
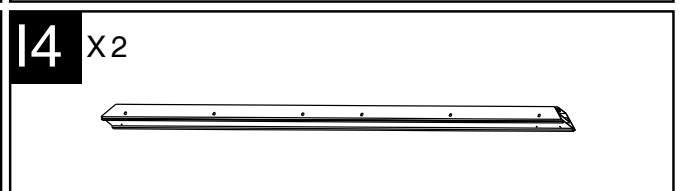
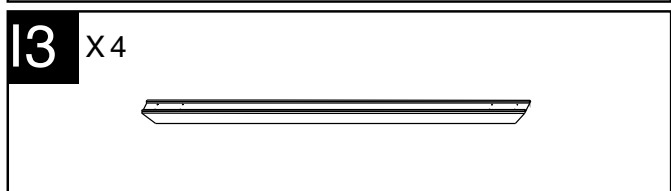
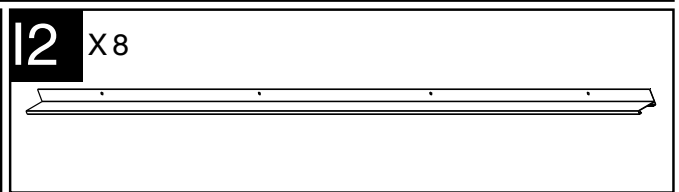
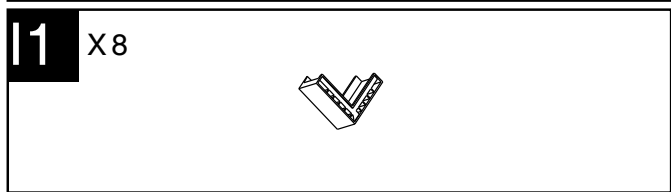
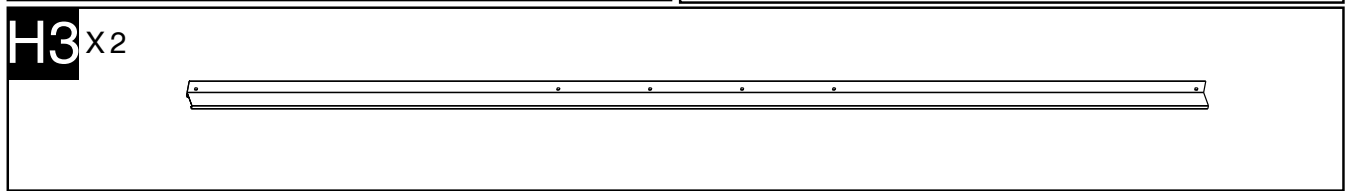
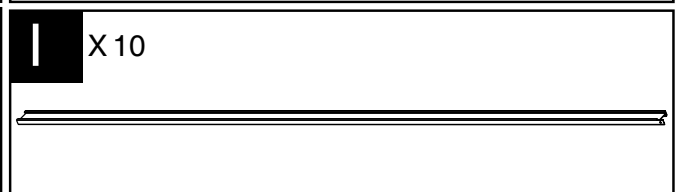
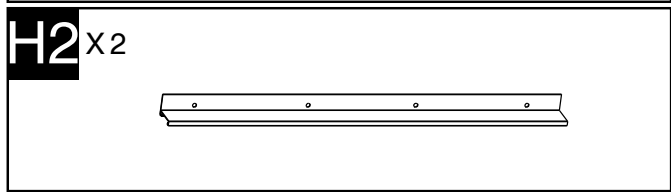
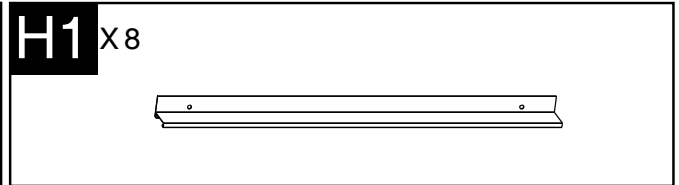
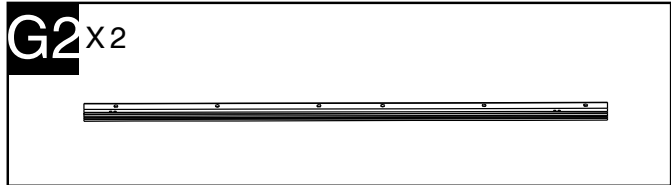


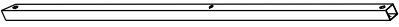

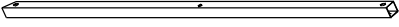
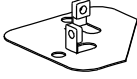





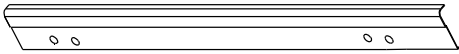

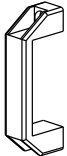


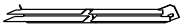




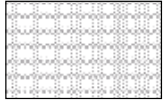
**F6** X2

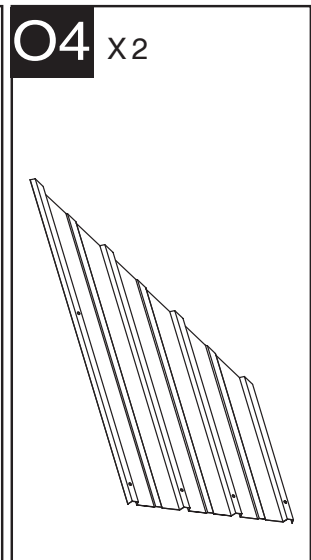
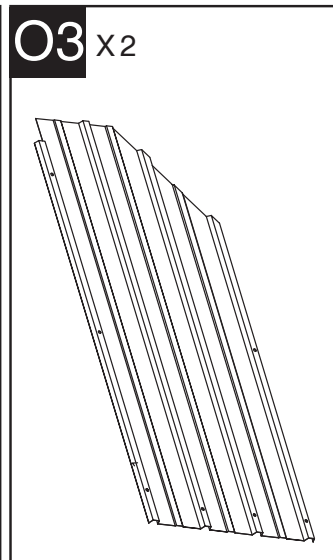
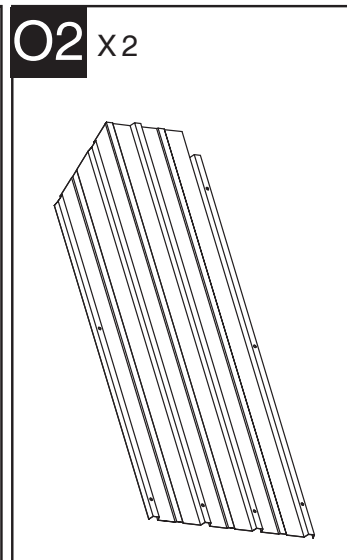
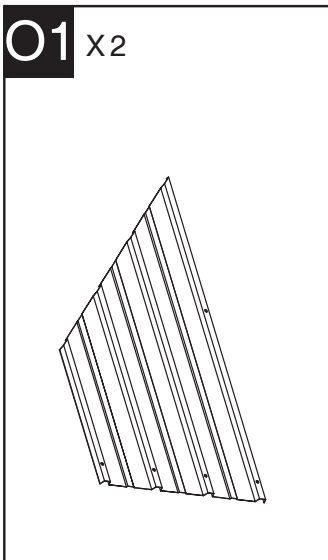
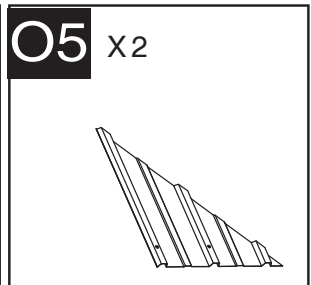
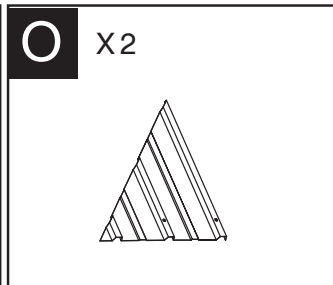
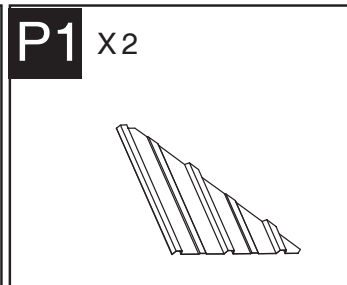
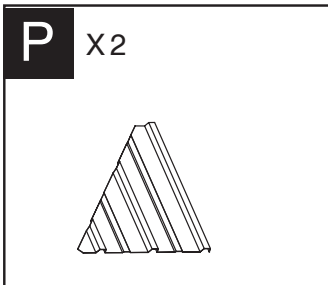
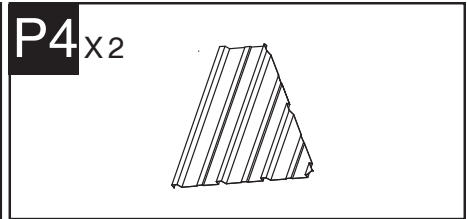
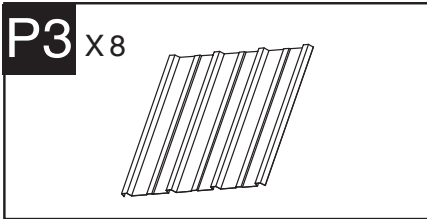
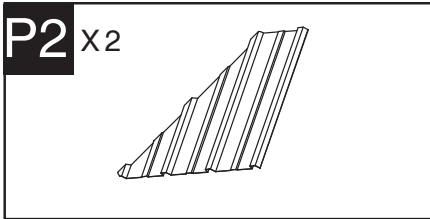
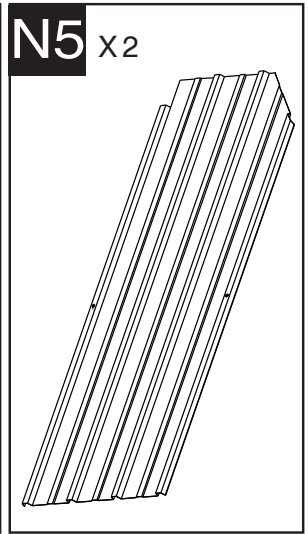
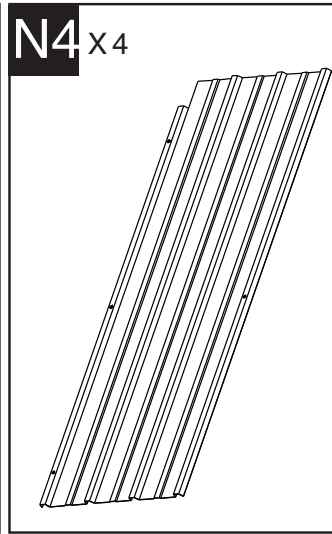
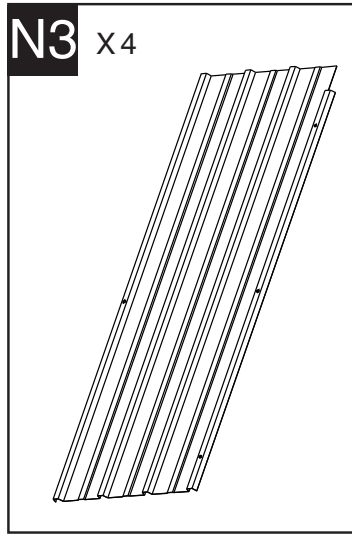
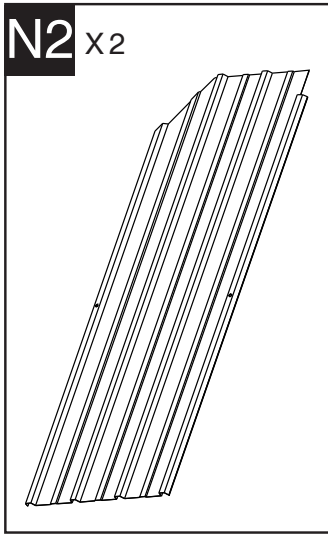


**G1** X2

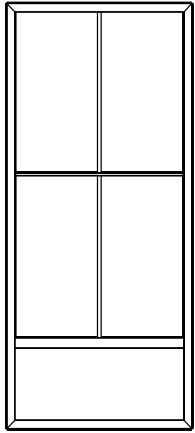




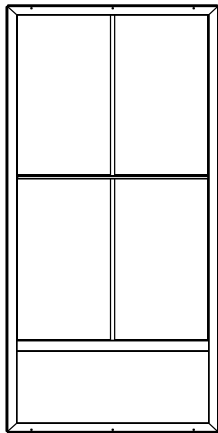
<b>L1</b> X4 		<b>L2</b> X4 	
<b>L3</b> X4 		<b>M1</b> X4 	<b>M2</b> X8 
<b>M3</b> X8 	<b>M4</b> X4 	<b>B5</b> X8 	<b>B8</b> X8 
<b>B9</b> X4 		<b>V1</b> X8 	<b>V2</b> X8 
<b>D1</b> X16 	<b>R</b> X56 	<b>R2</b> X2 	
<b>R3</b> X2 		<b>R4</b> X2 	
<b>W</b> X4 	<b>W1</b> X4 	<b>Zs</b> X1 	



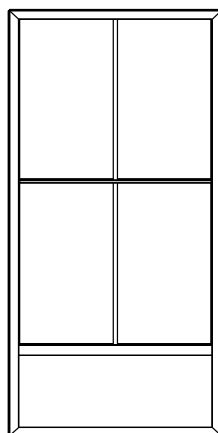
**A1** X6



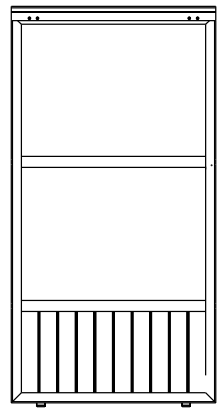
**A2** X4



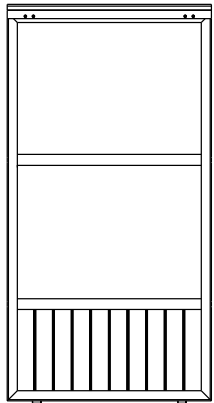
**A3** X2



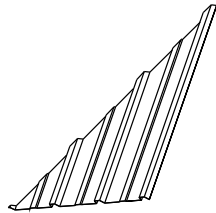
**B2** X2



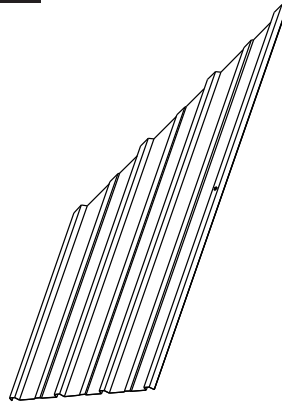
**B3** X2



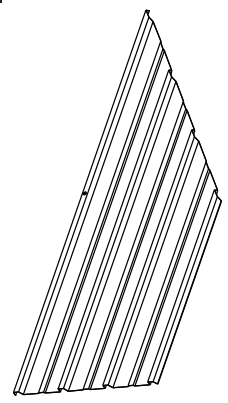
**N** X2



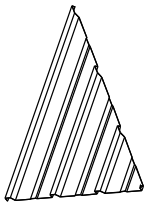
**N1** X2



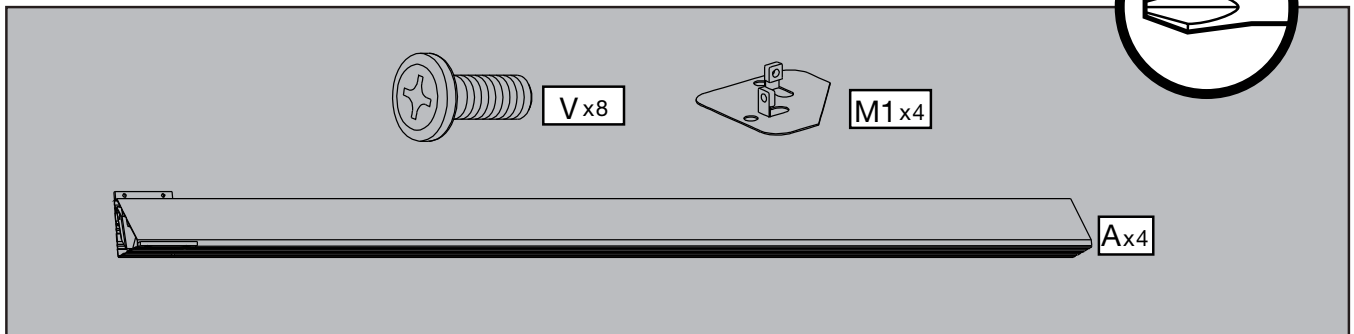
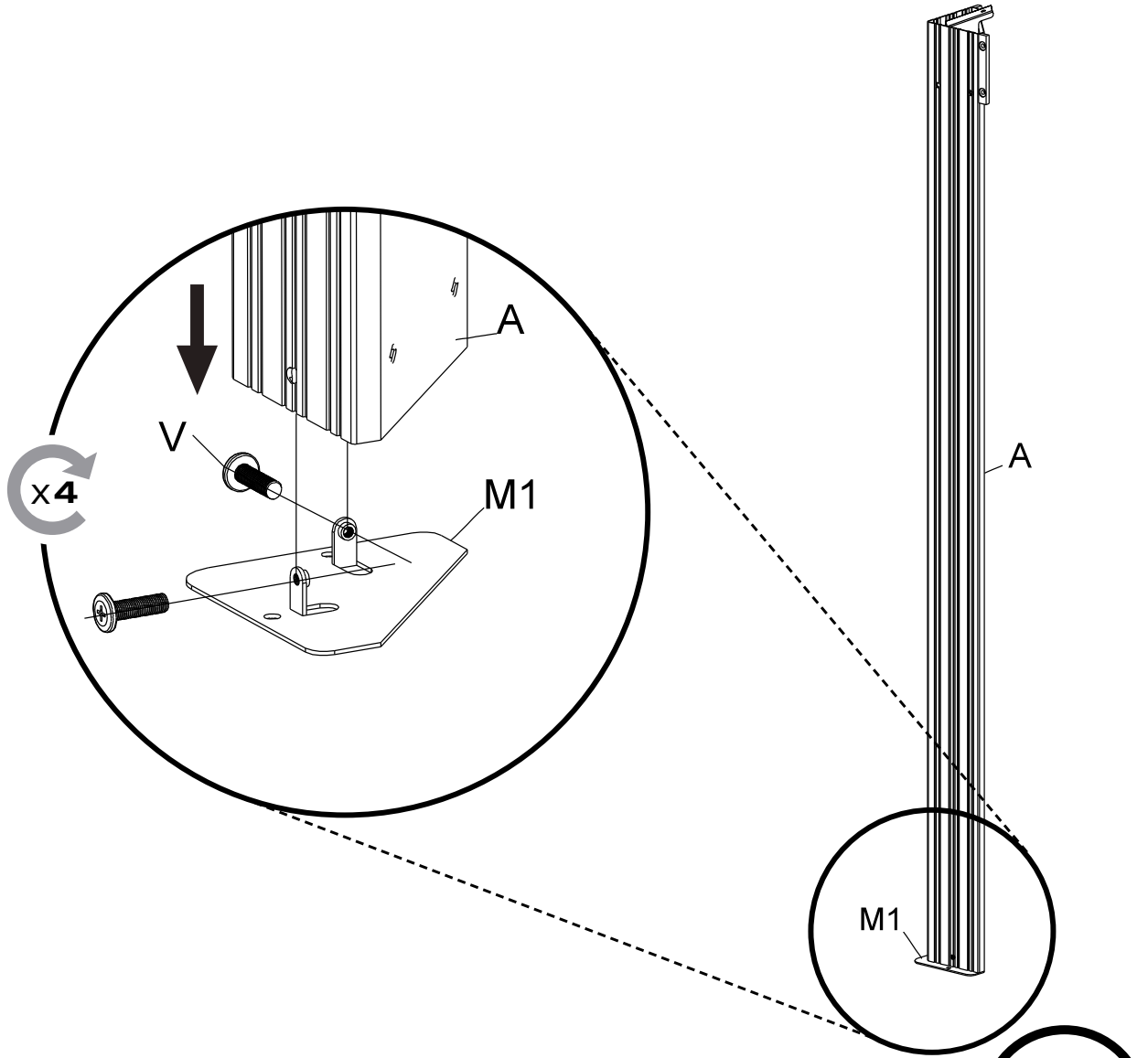
**N6** X2

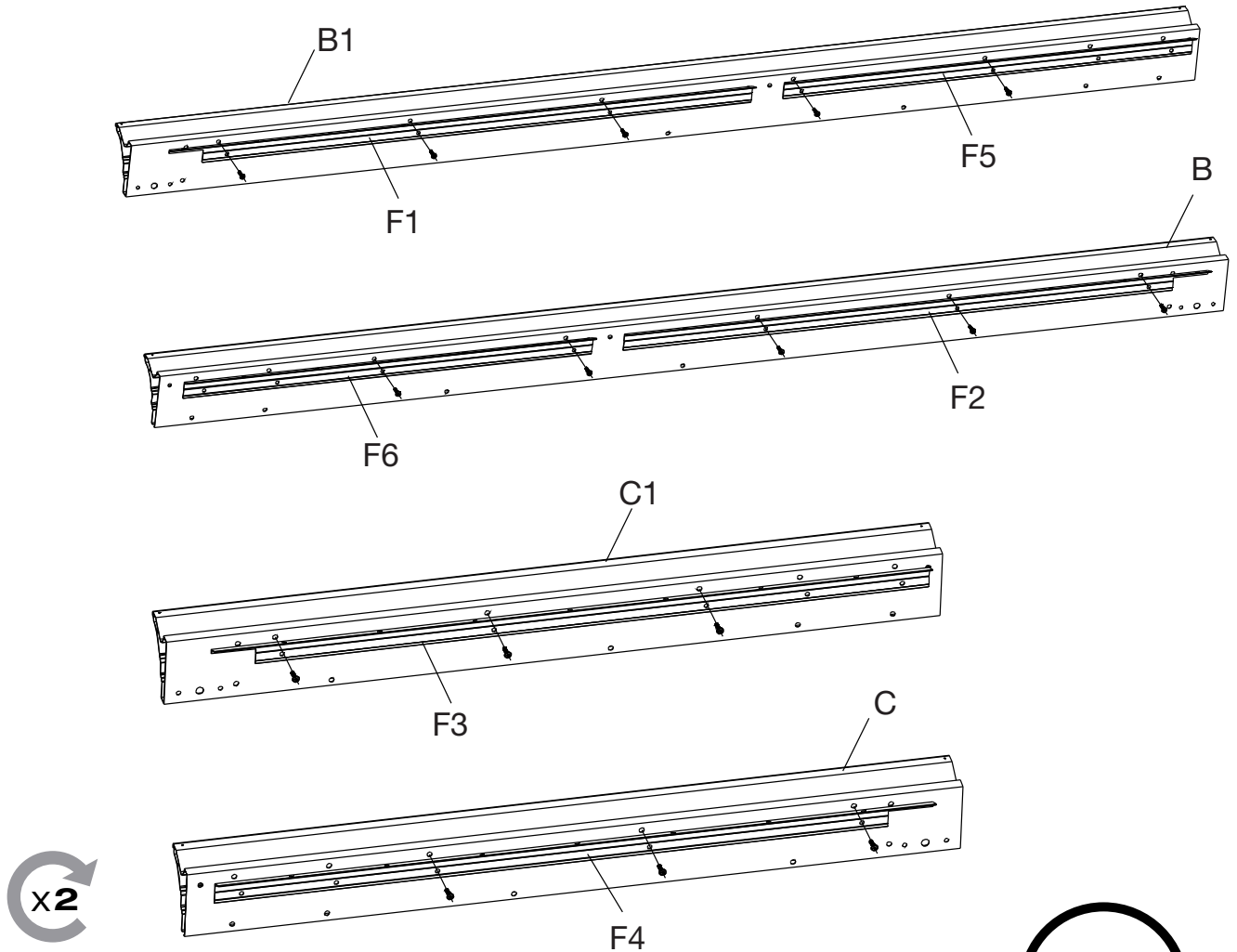





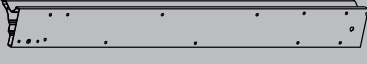






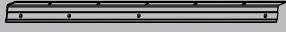
**N7** X2

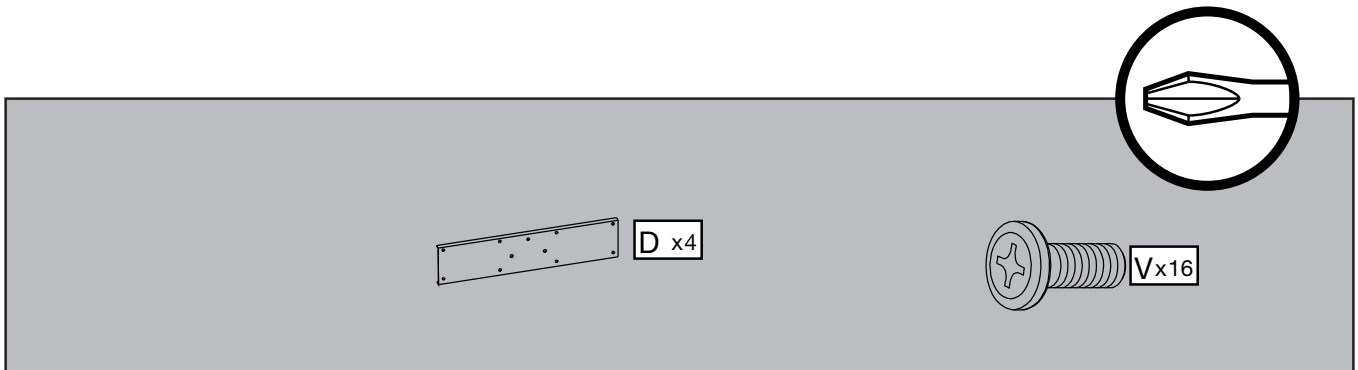
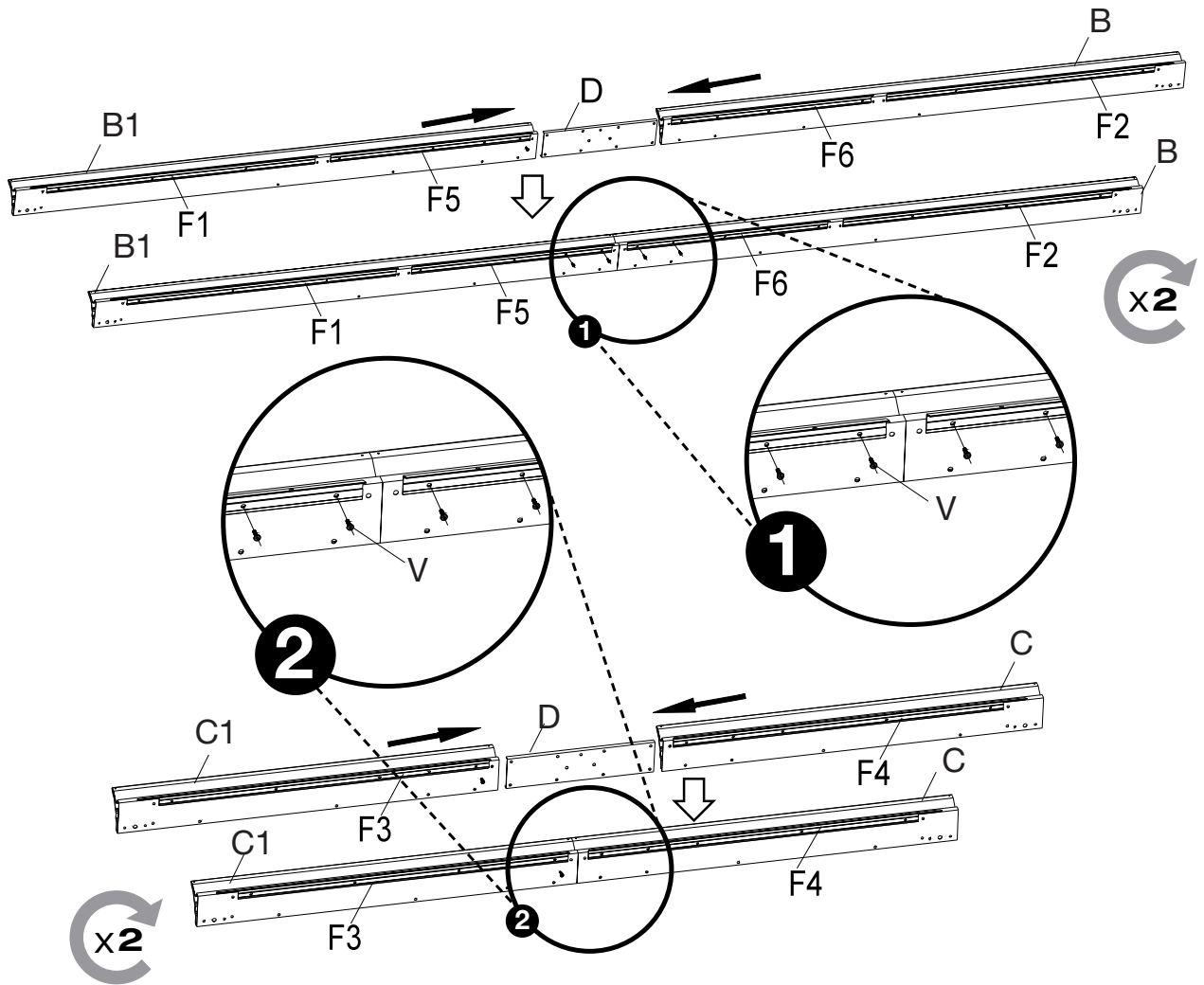


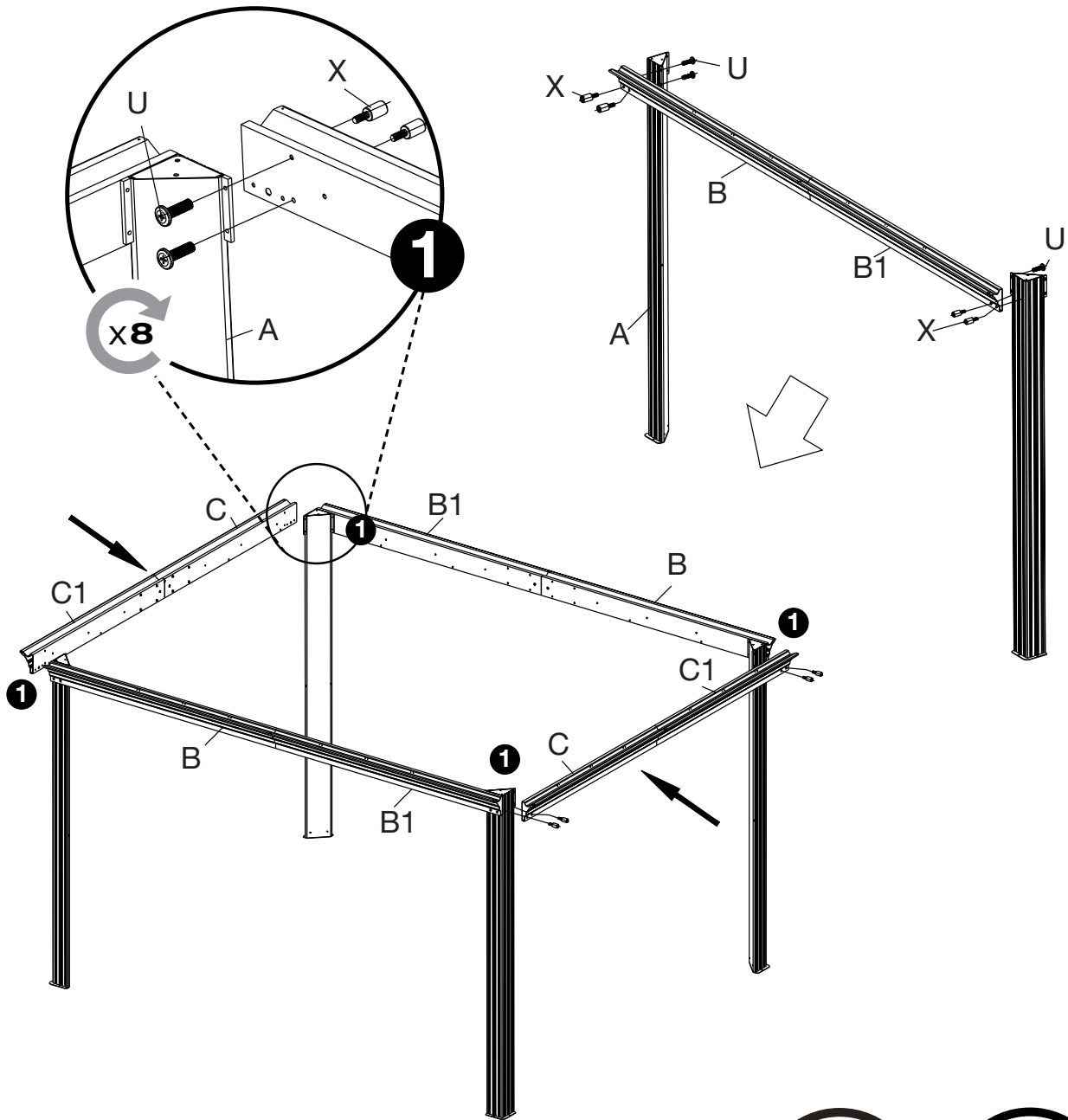




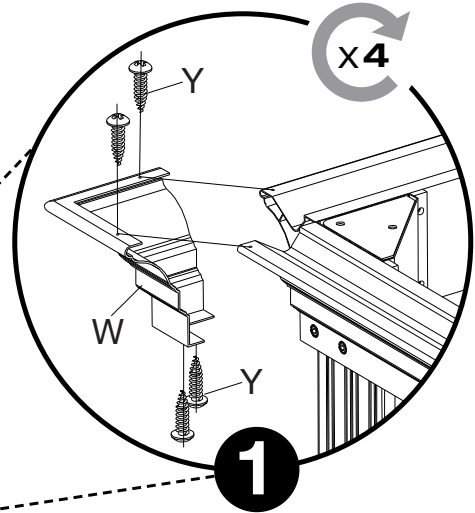
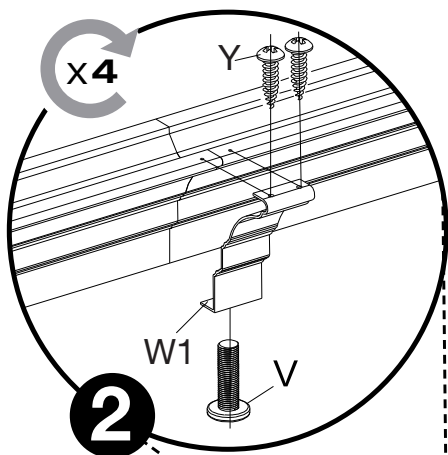
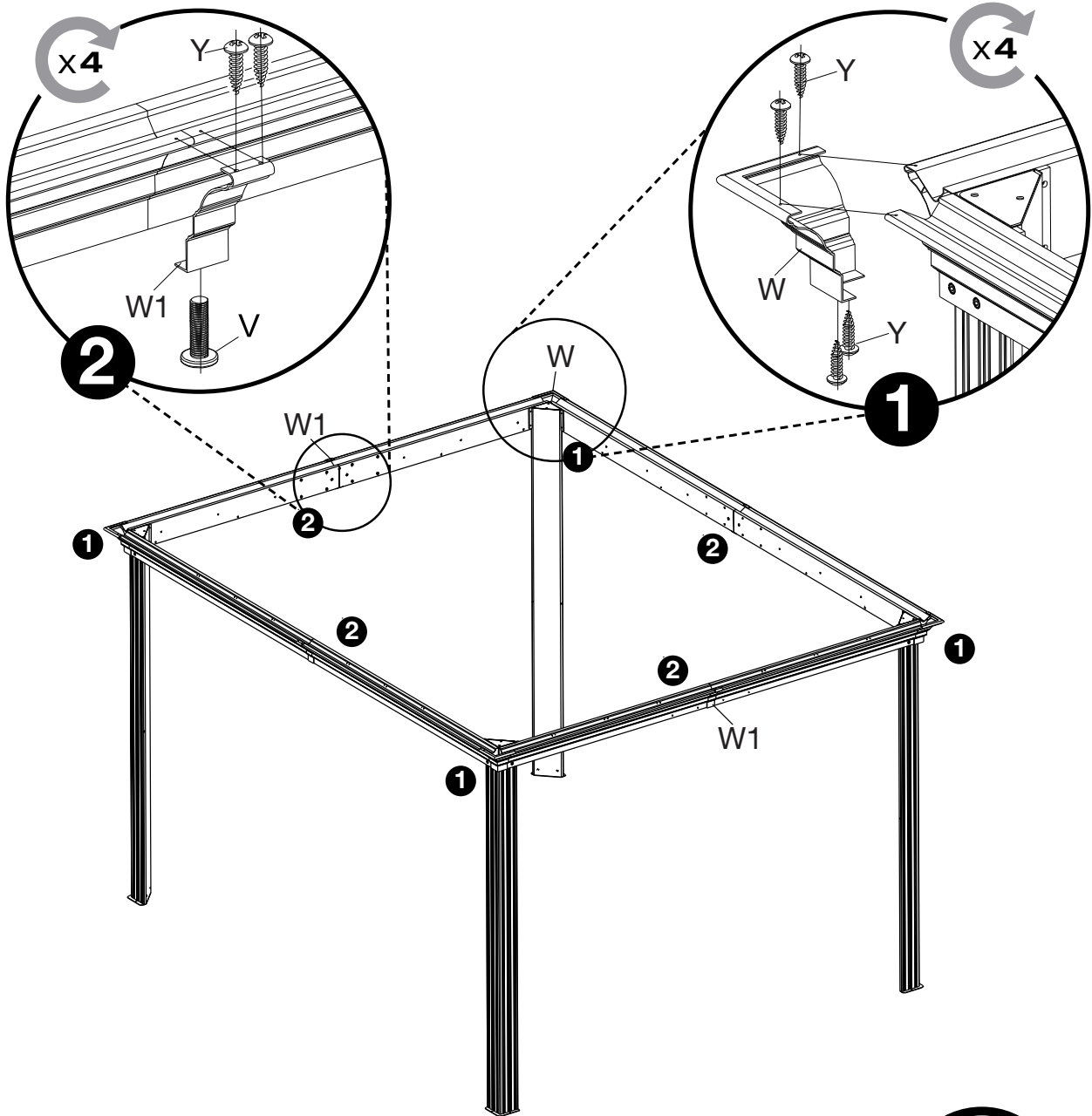


- |   |       |   |       |
|---|-------|---|-------|
|  | B x2  |   | C x2  |
|  | B1 x2 |   | C1 x2 |
|  | F1 x2 |   | F3 x2 |
|  | F2 x2 |   | F4 x2 |
|  | V x32 |    | F5 x2 |
|   |       |  | F6 x2 |





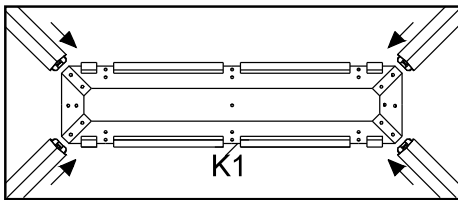
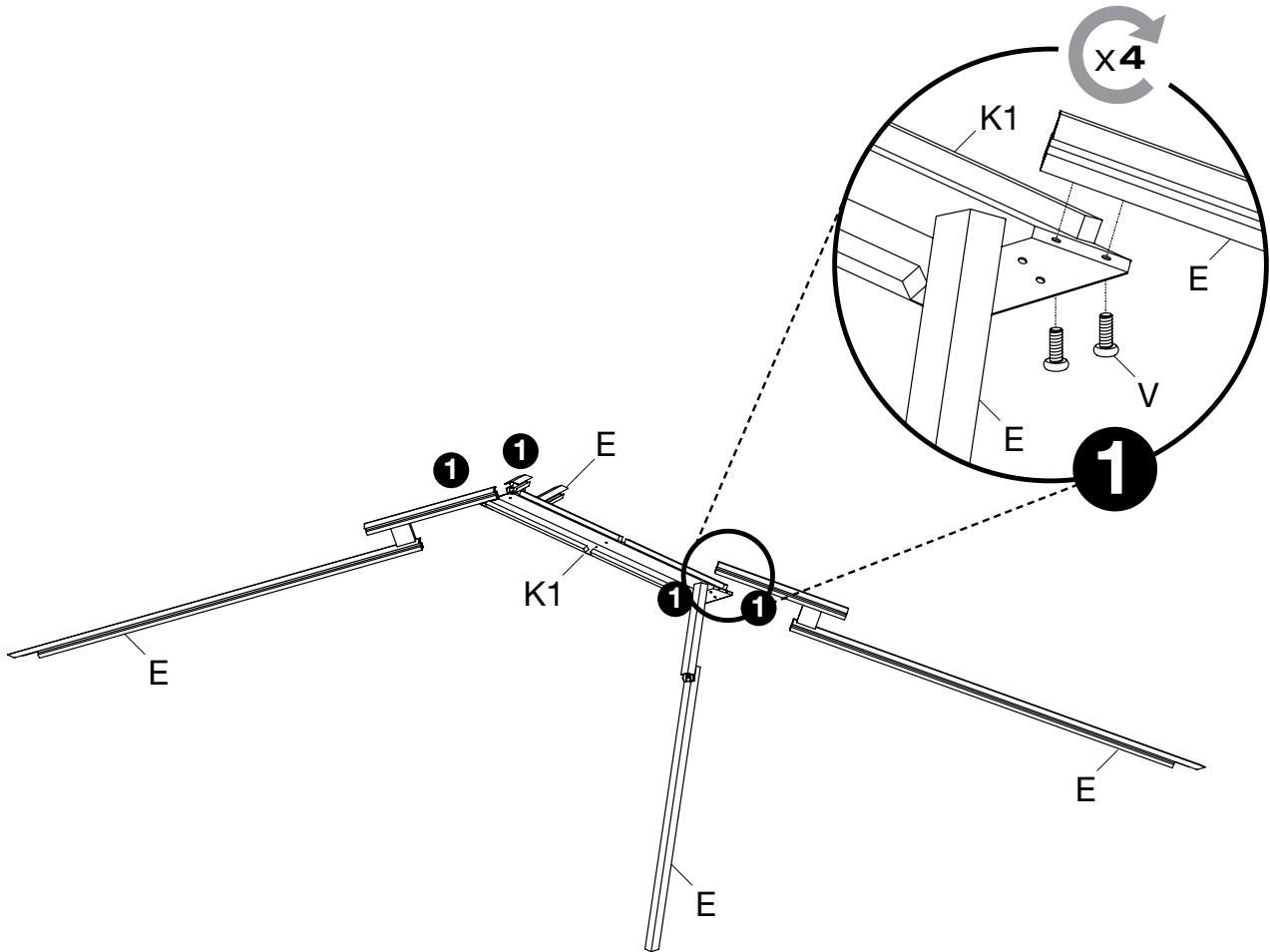
This section contains the parts list and icons for step 1. On the left, there is a bolt labeled **Xx16**. In the center, there is a screw labeled **Ux16**. To the right of the screw, there is a circular icon with two people and the text **2+**, indicating that two or more people are required for this step. To the right of that icon is another circular icon showing a hand holding a screwdriver, indicating that a screwdriver is needed for this step.



A parts list and tool icon are located at the bottom of the page. The parts list includes:

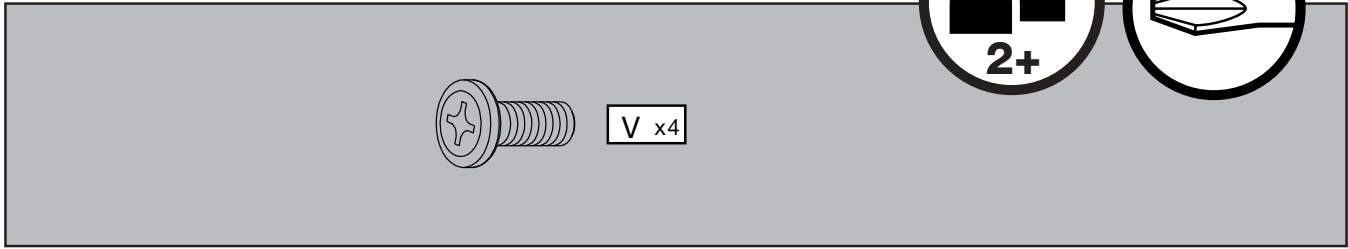
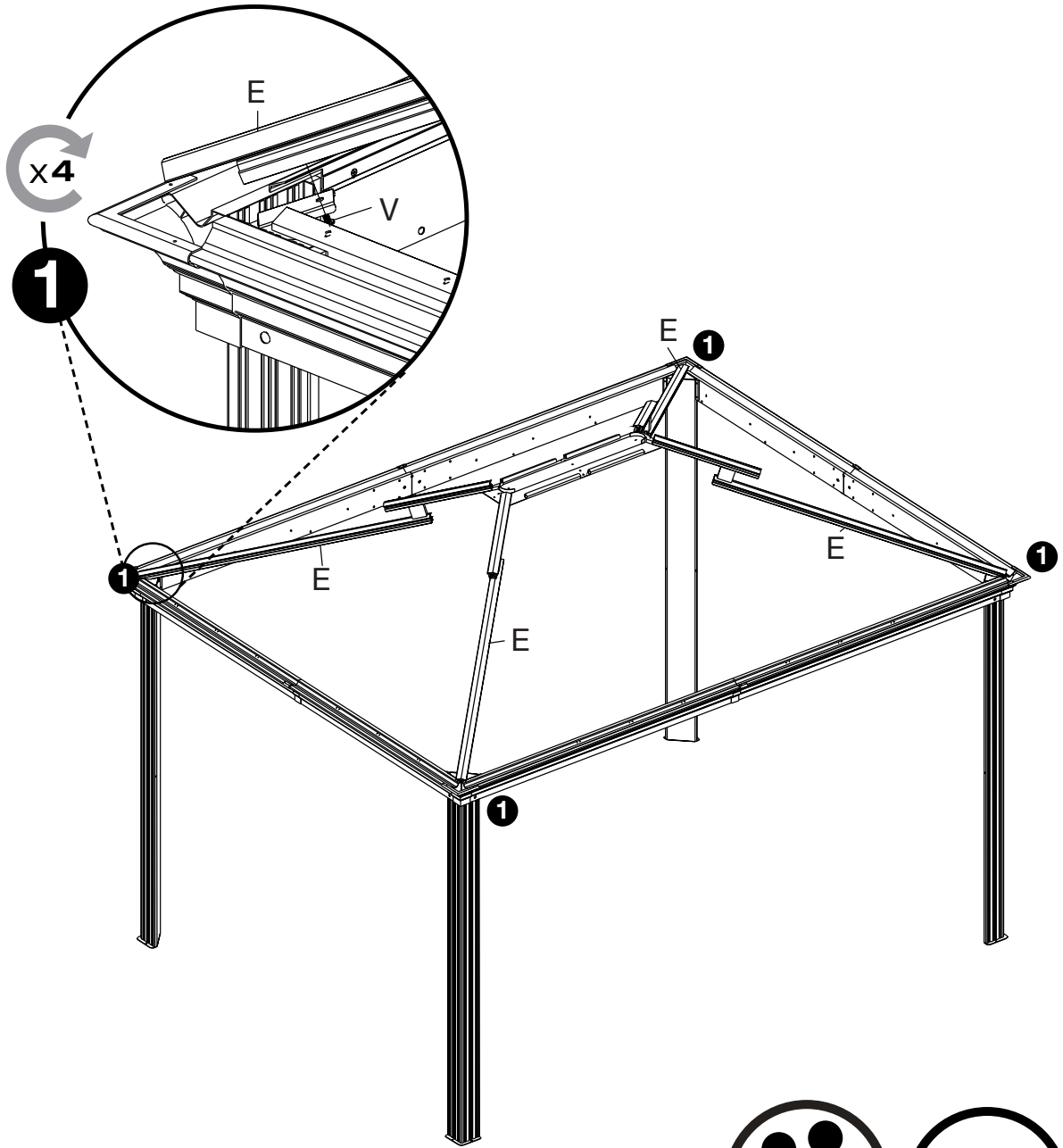
- W x4 (Corner bracket)
- W1 x4 (Side rail bracket)
- Y x24 (Screw)
- V x4 (Vertical post)

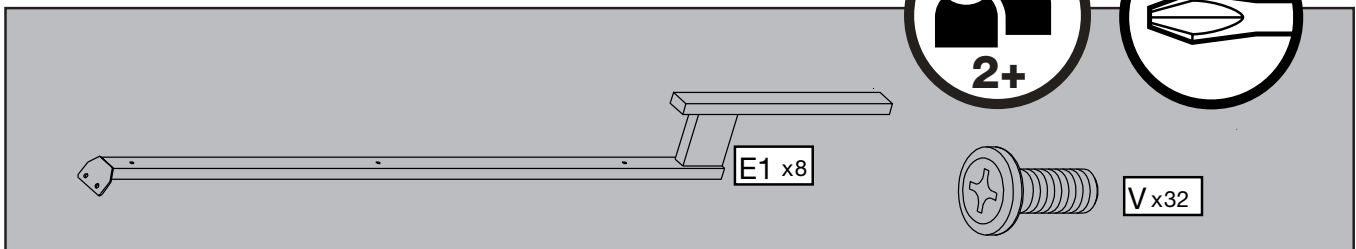
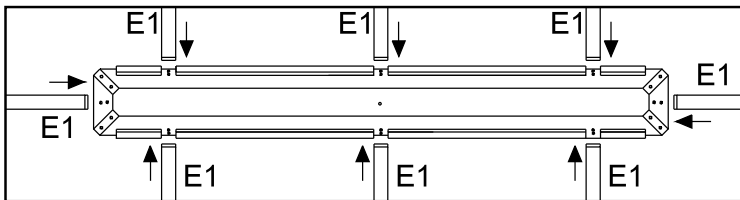
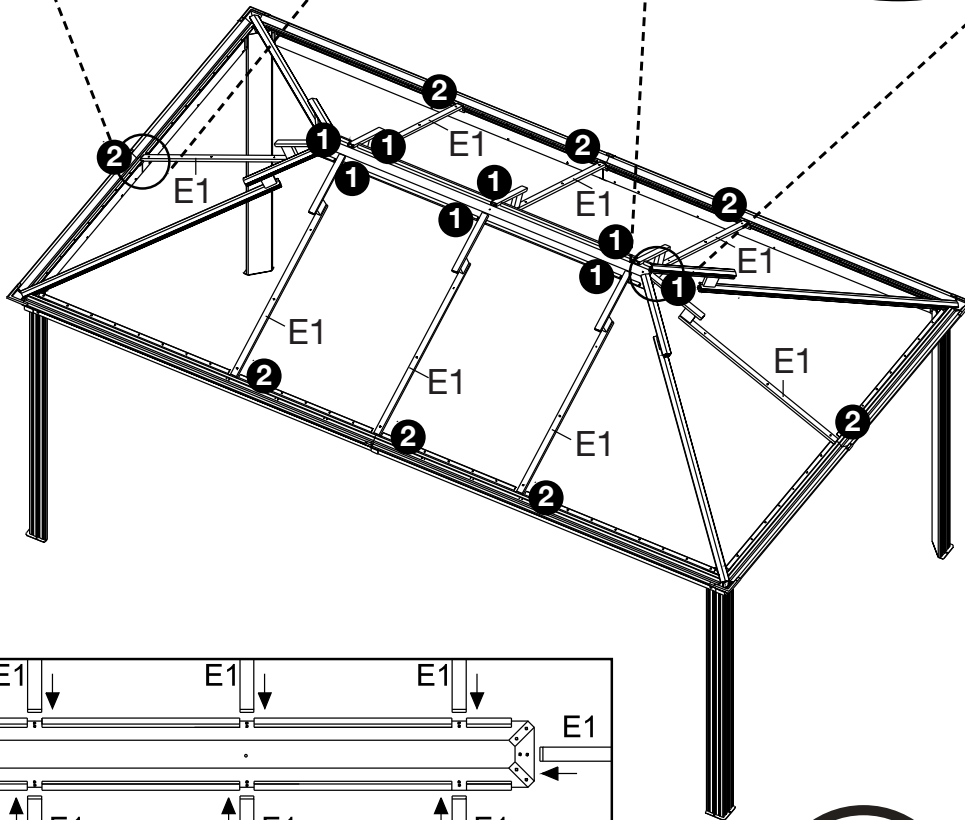
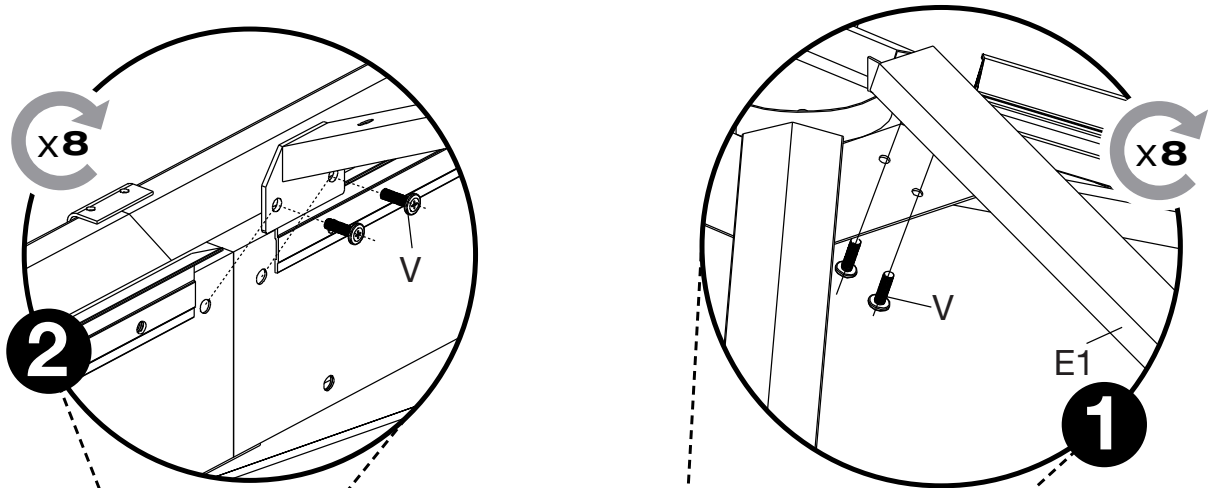
A circular icon containing a screwdriver tip is also present.



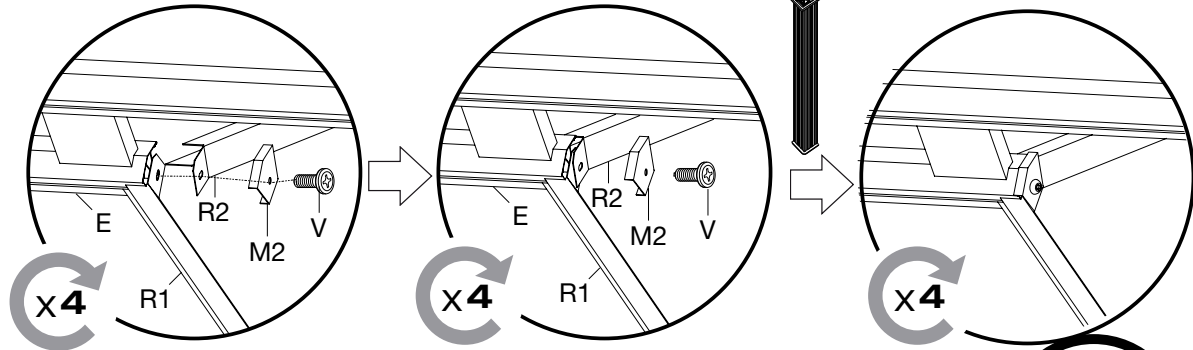
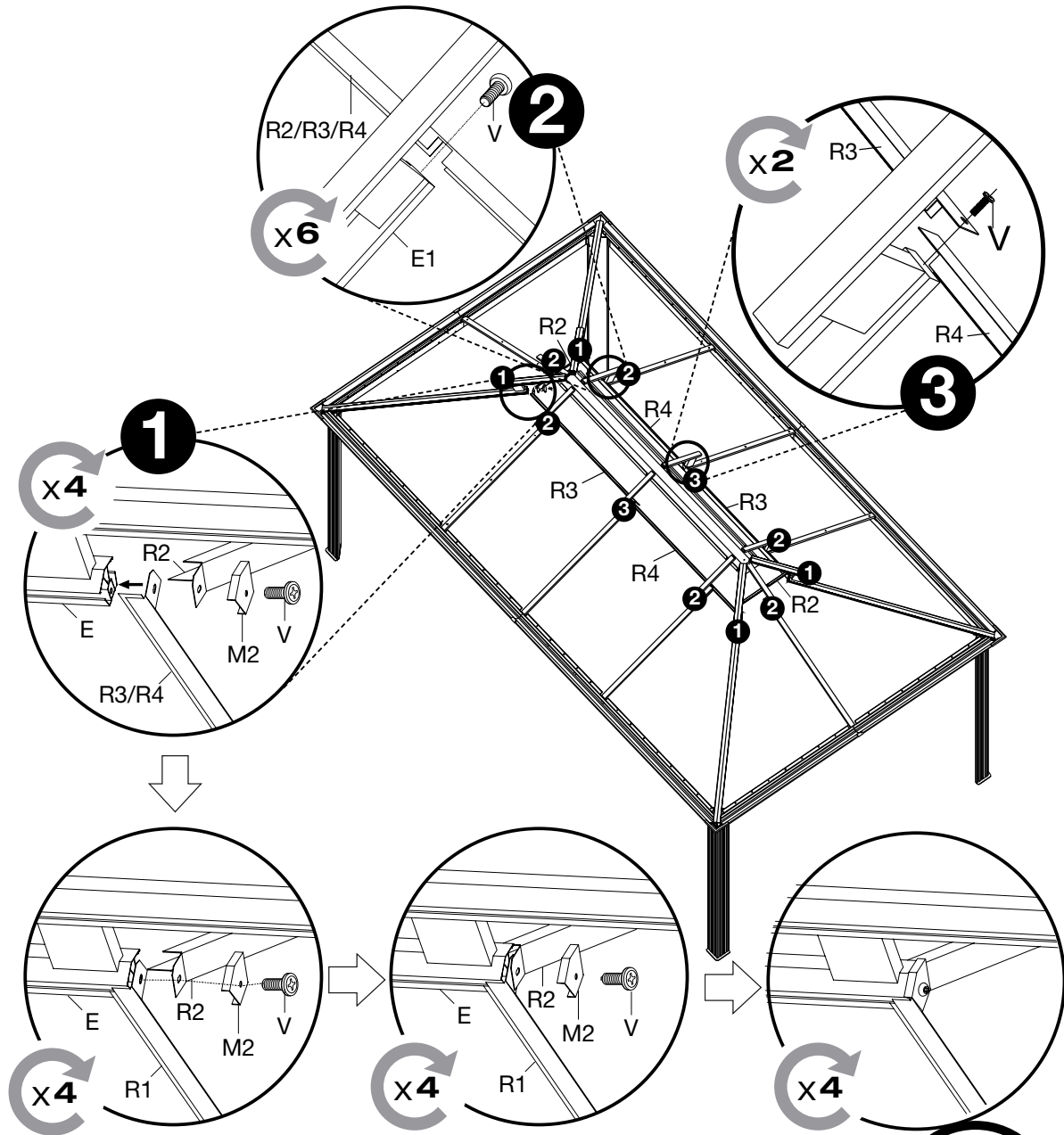
This section contains icons for safety and tool requirements: a circle with two people and '2+' indicating two people are needed, and a circle with a screwdriver icon. Below these are the parts list:






- K1 x1**: One central frame component.
- E x4**: Four legs.
- V x8**: Eight screws.

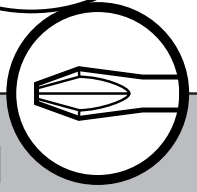


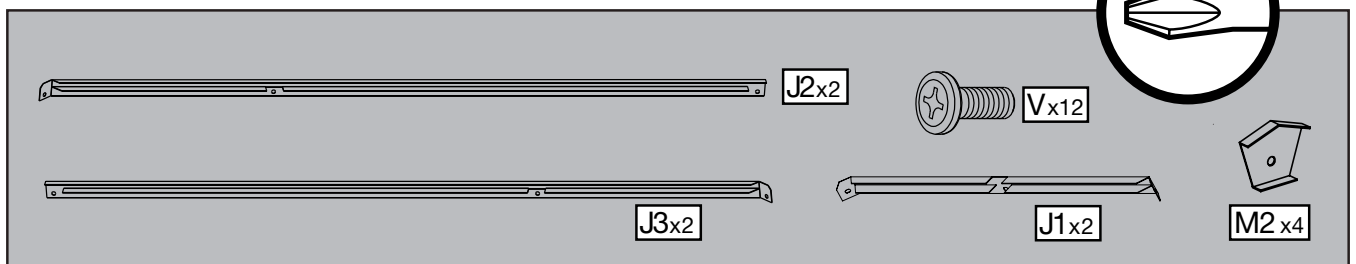
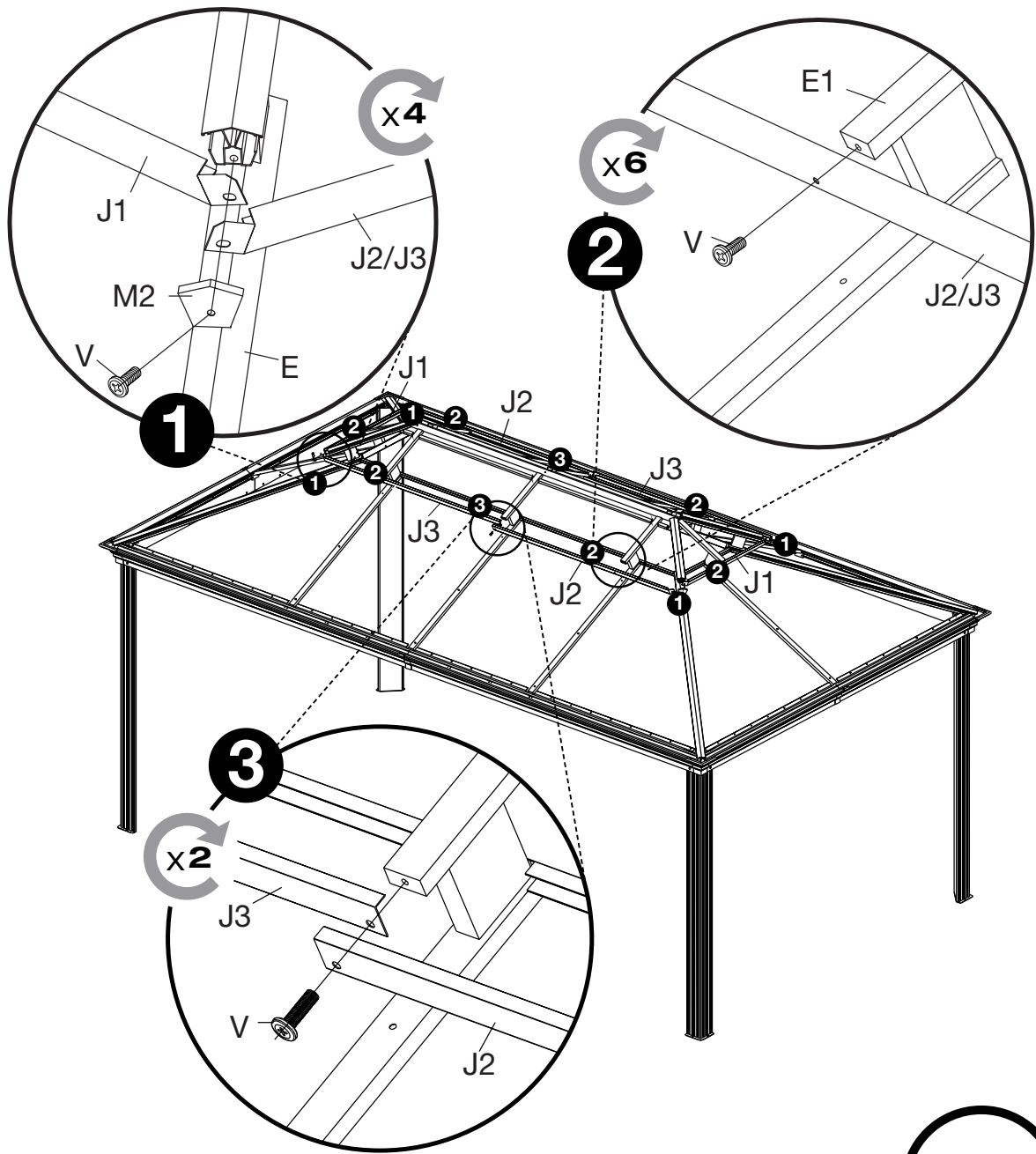


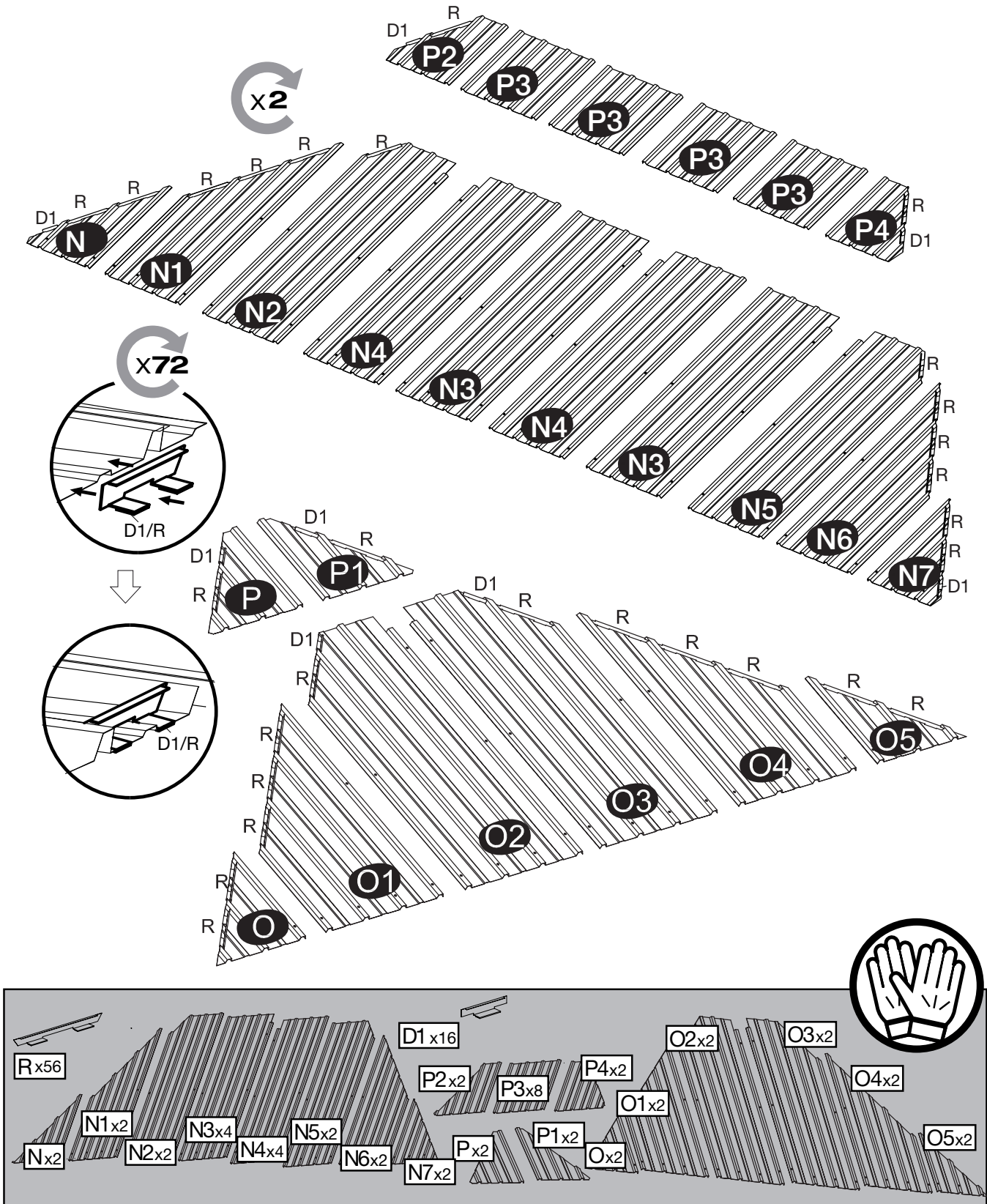


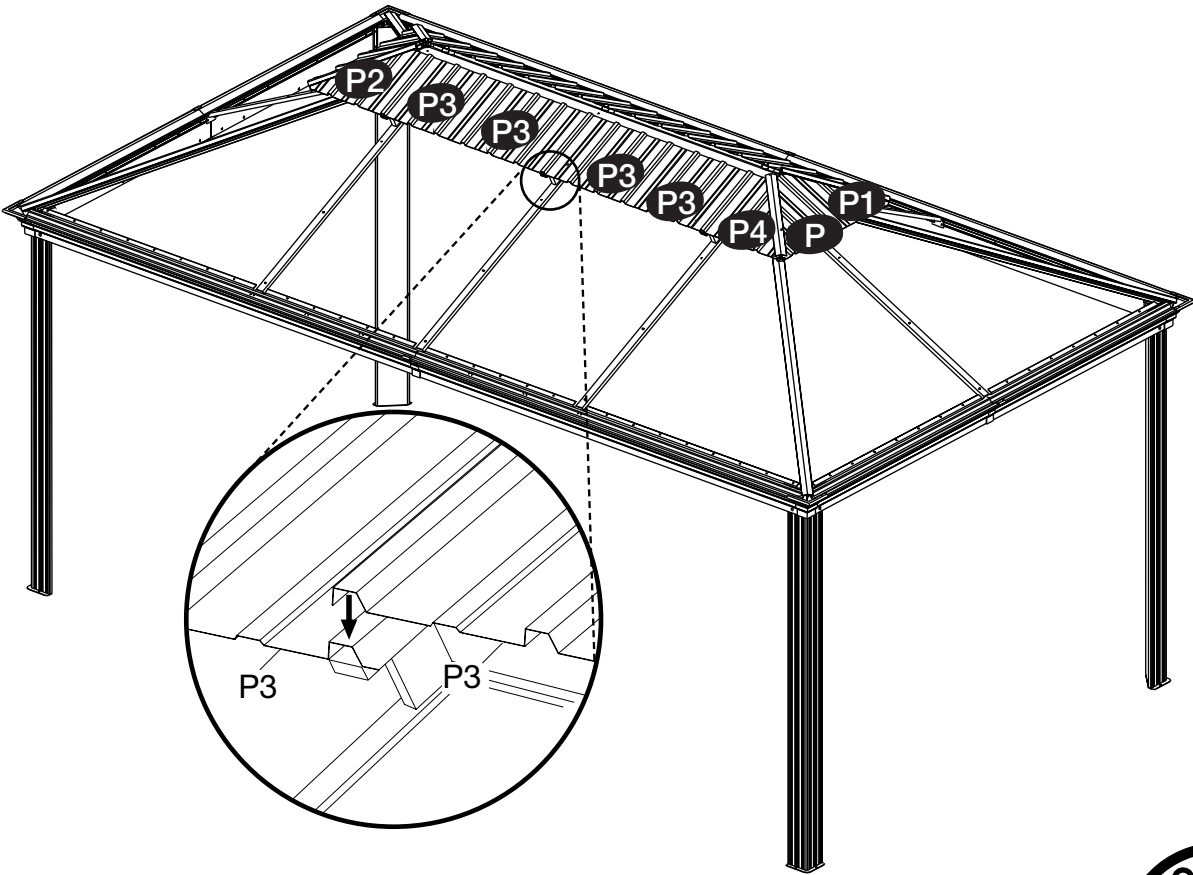
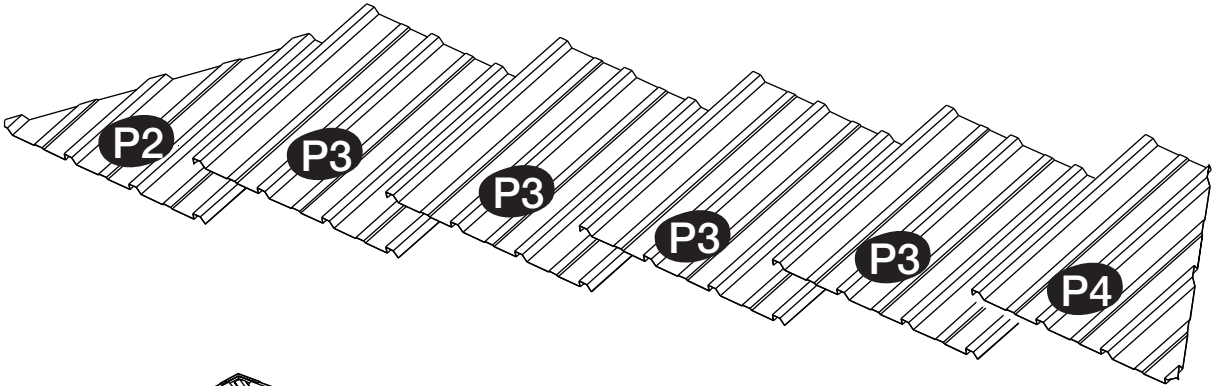
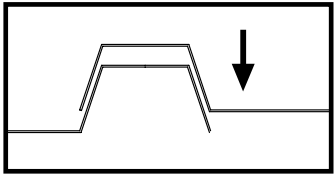
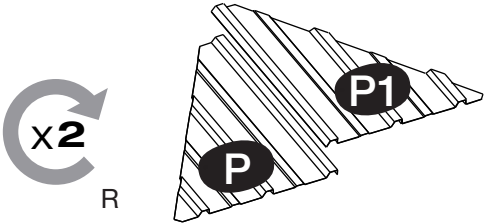


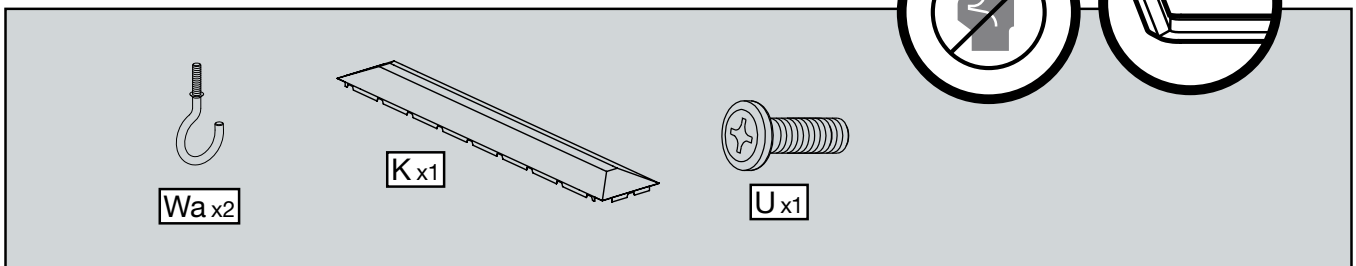
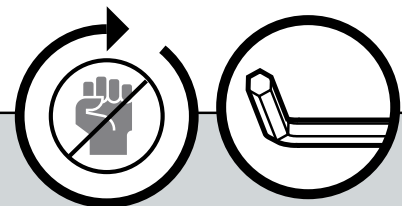
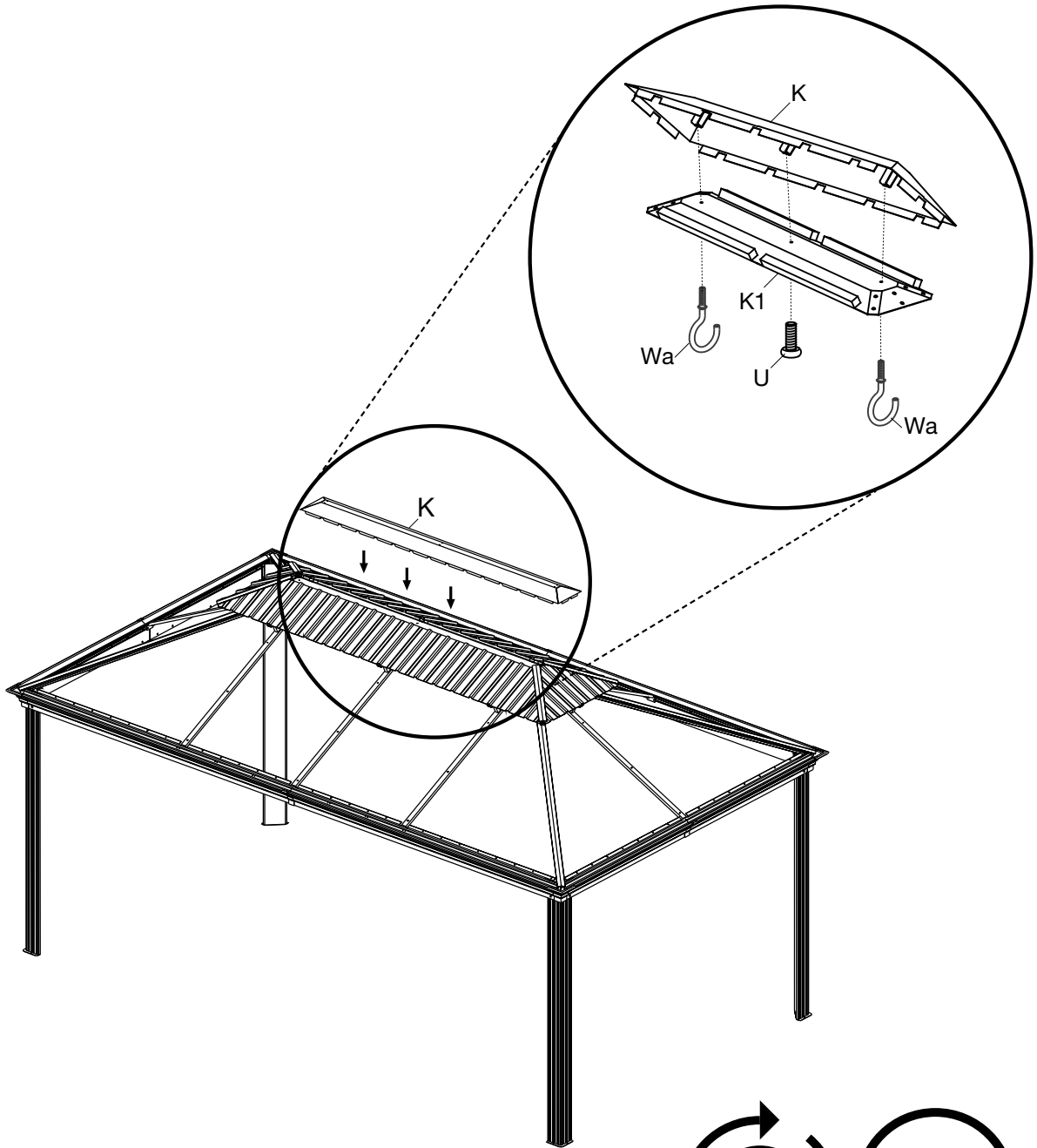
	R3x2		R2x2		M2x4		Vx12
	R4x2						

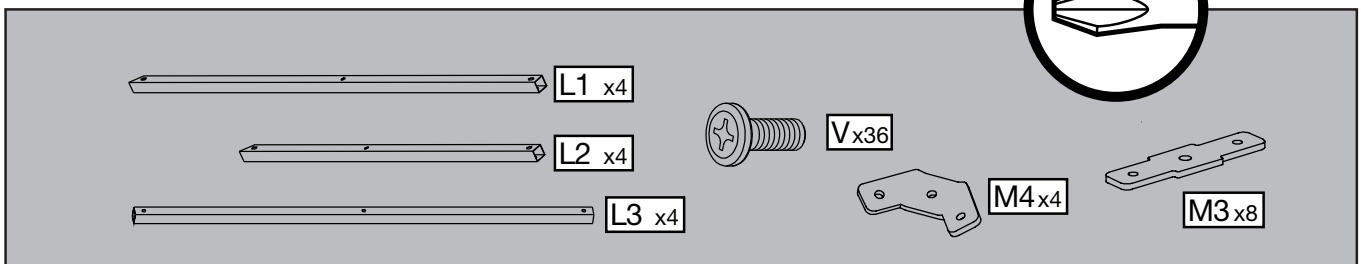
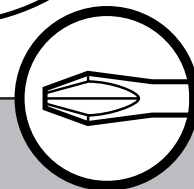
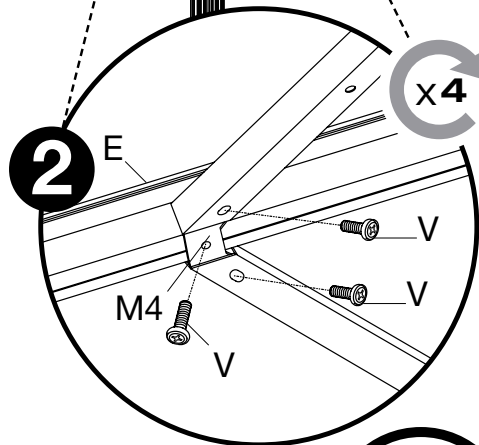
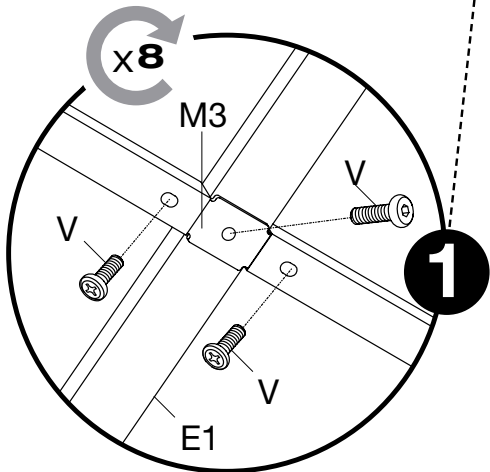
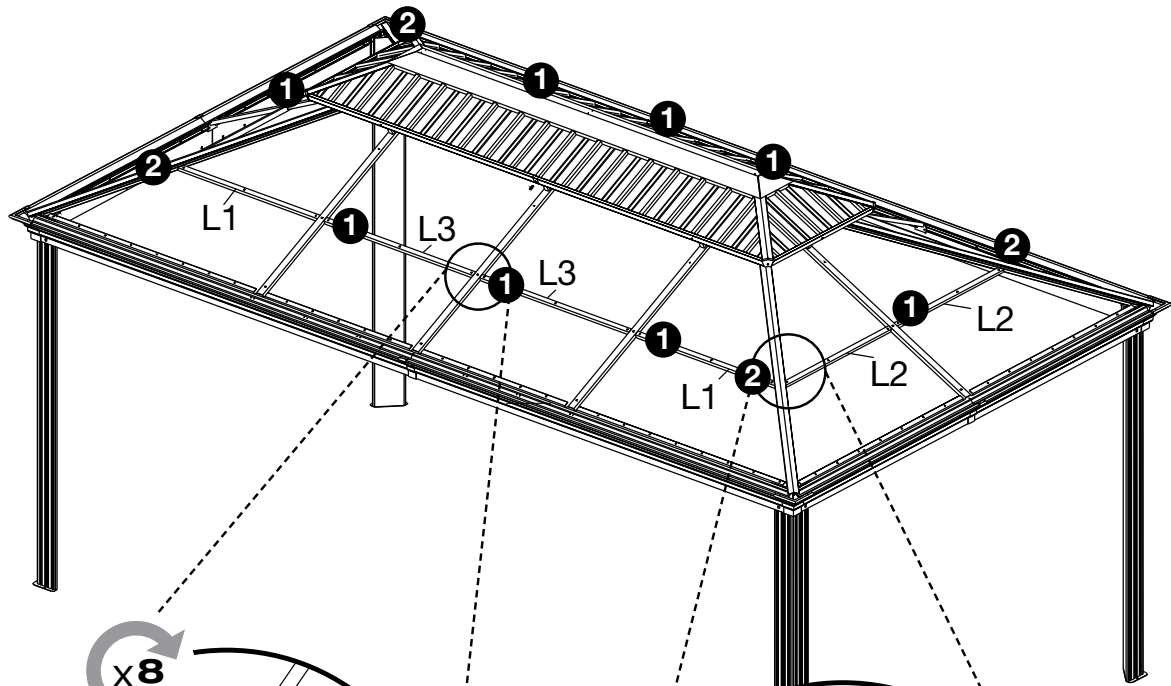


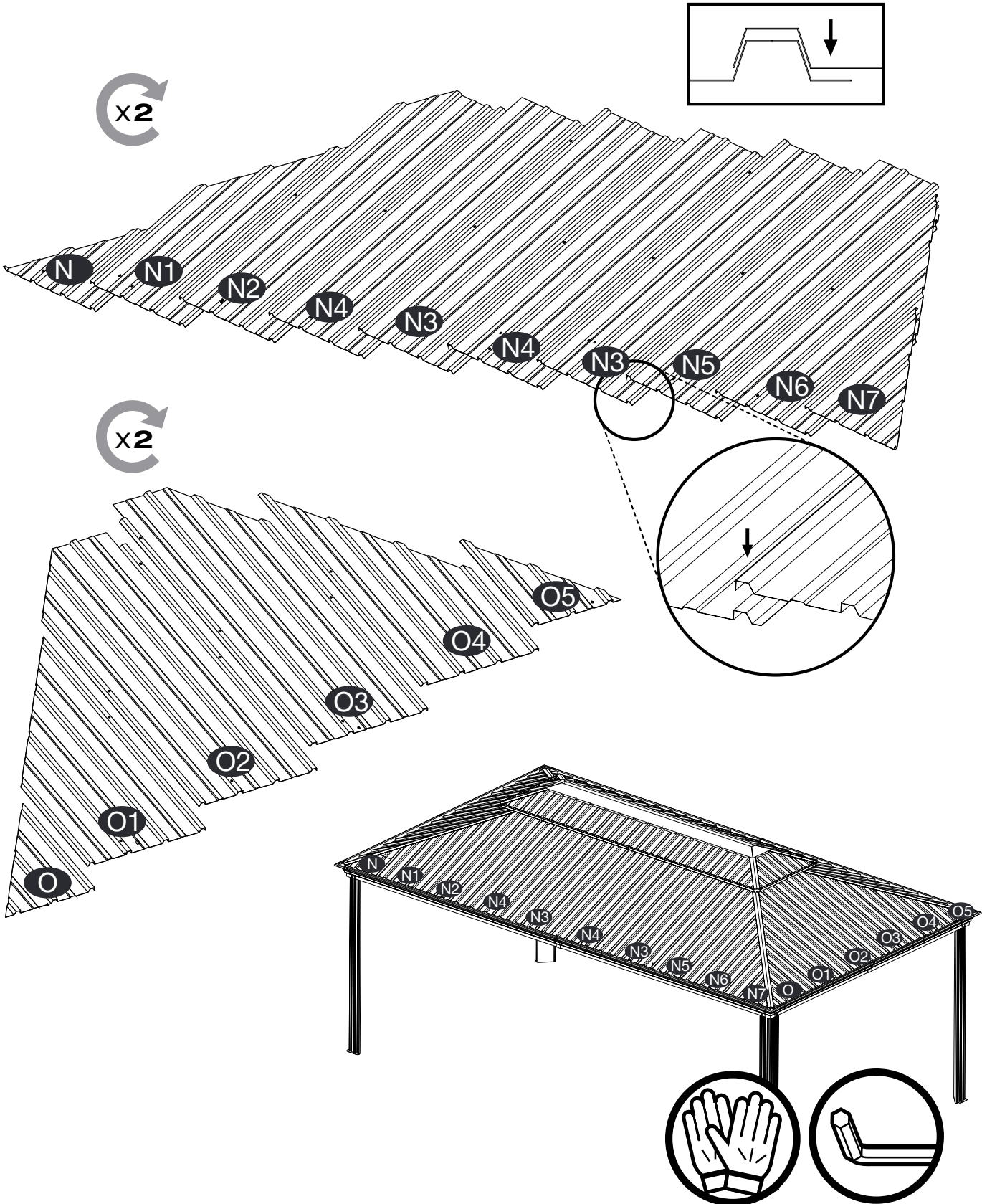


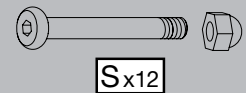
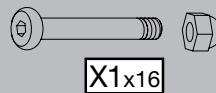
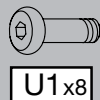
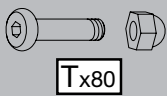
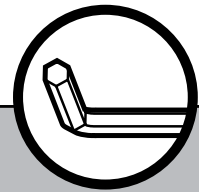
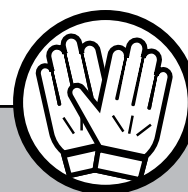
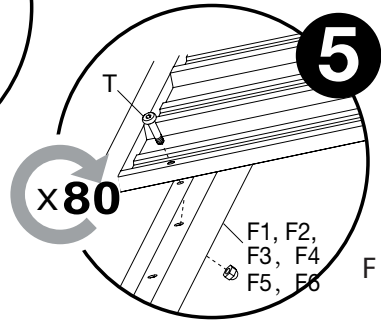
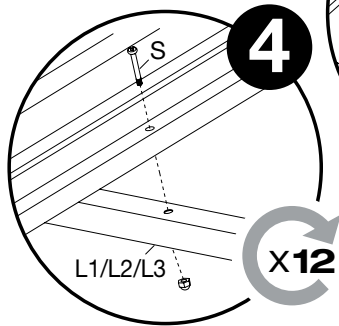
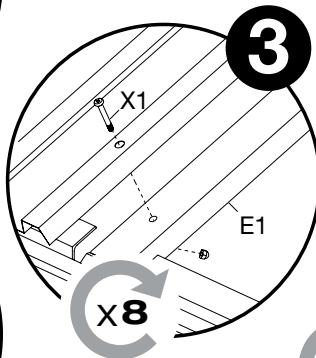
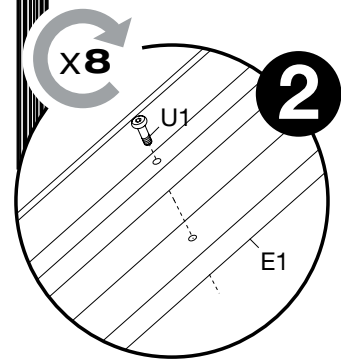
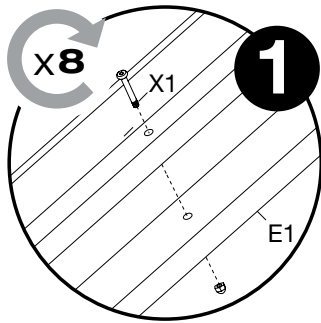
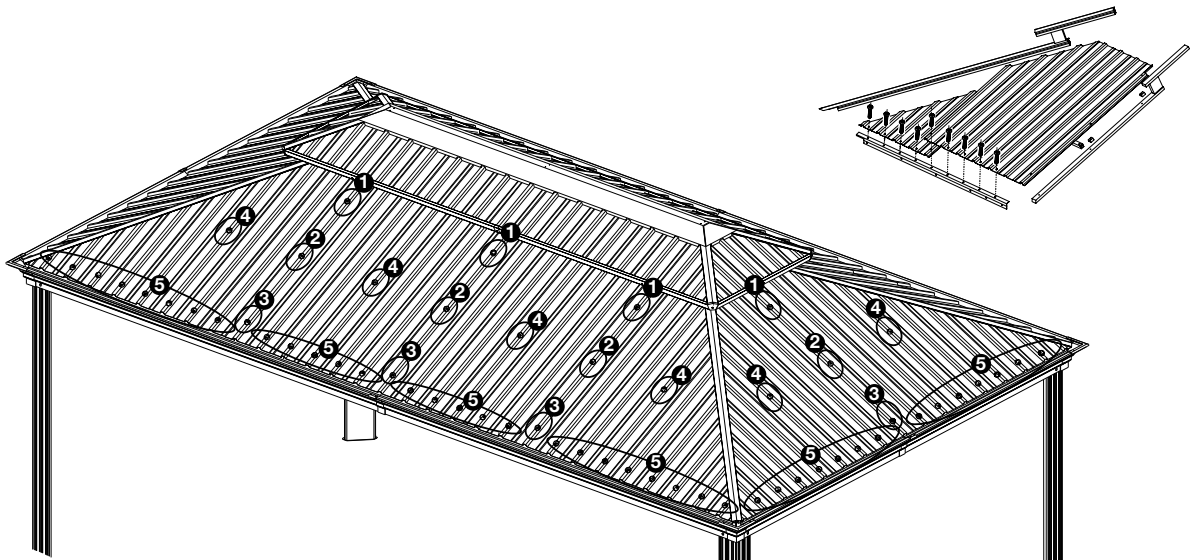




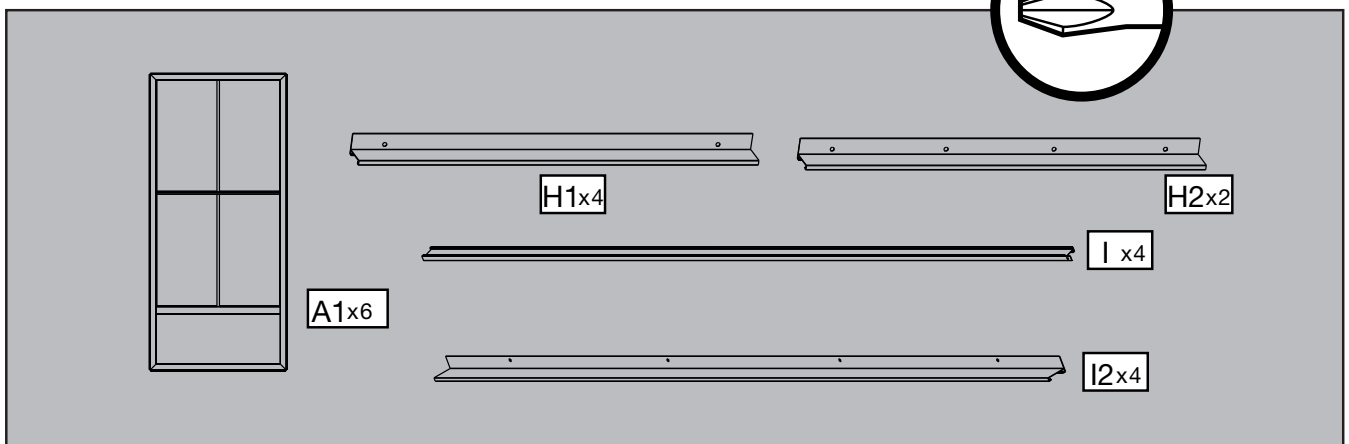
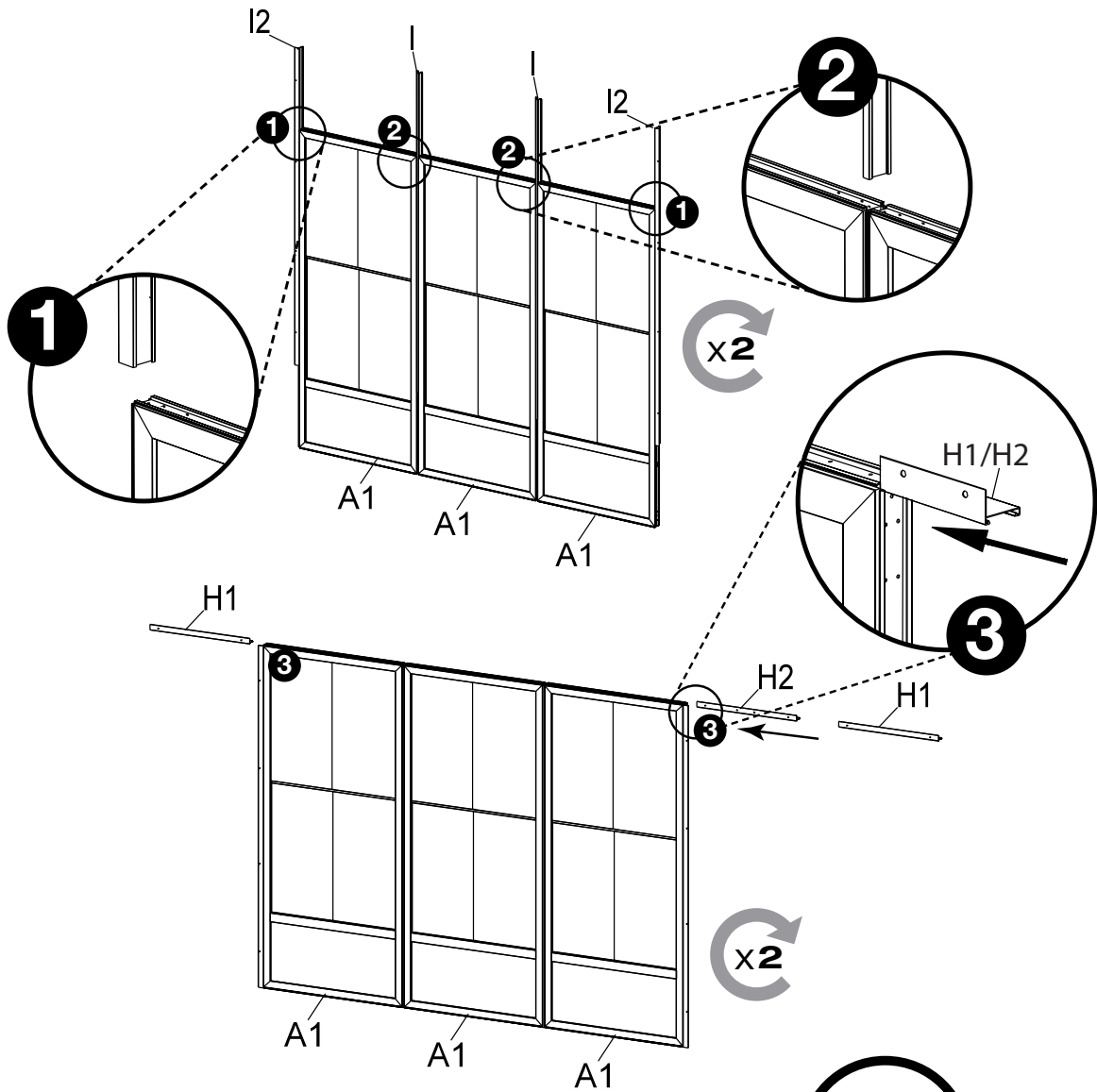


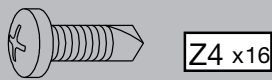
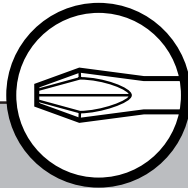
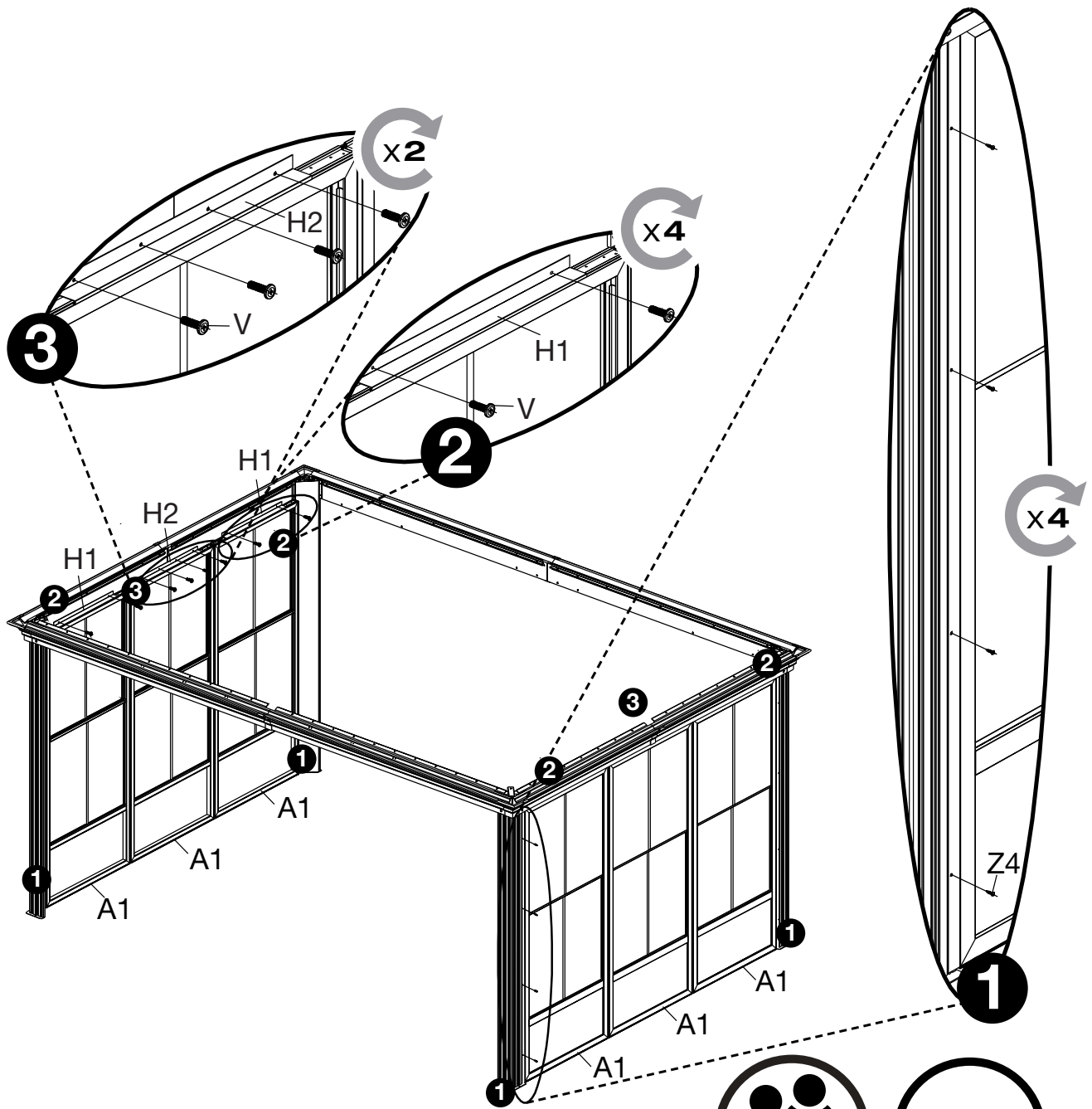




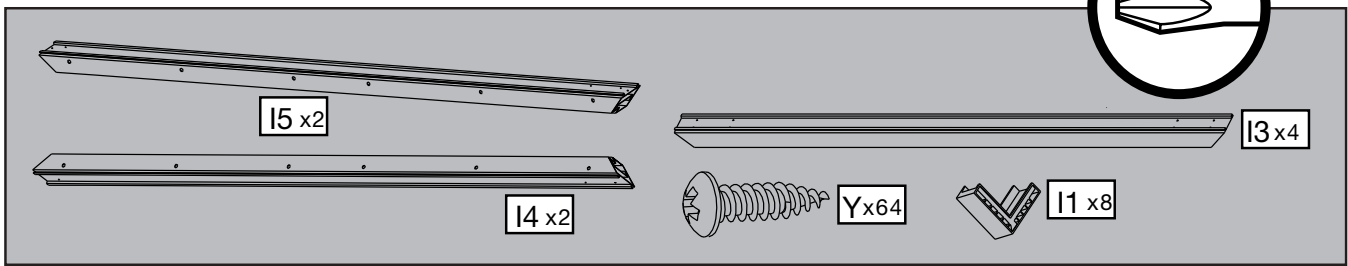
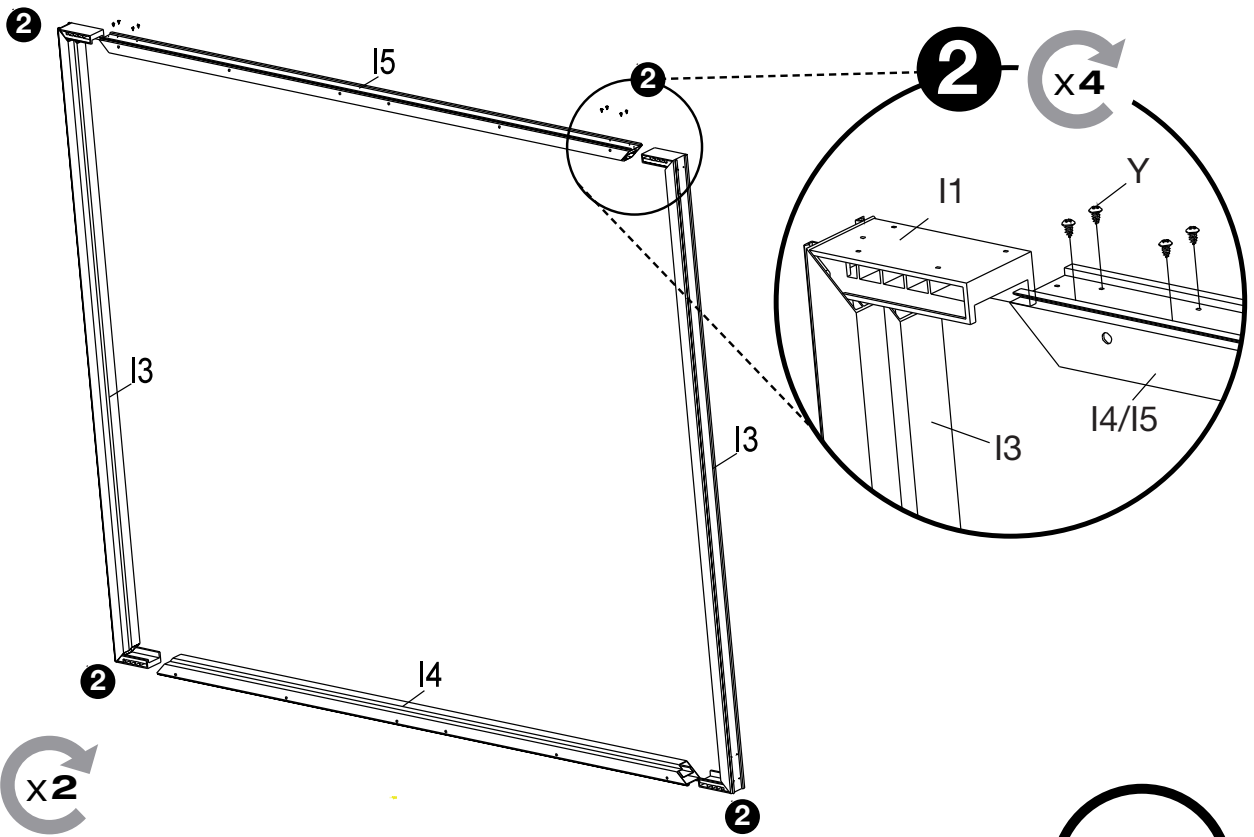
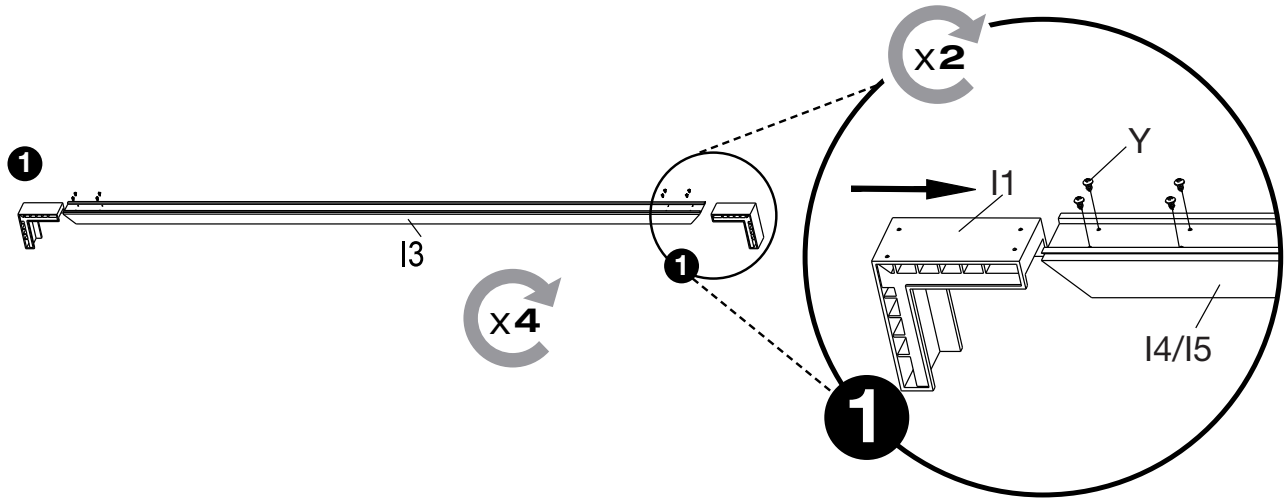


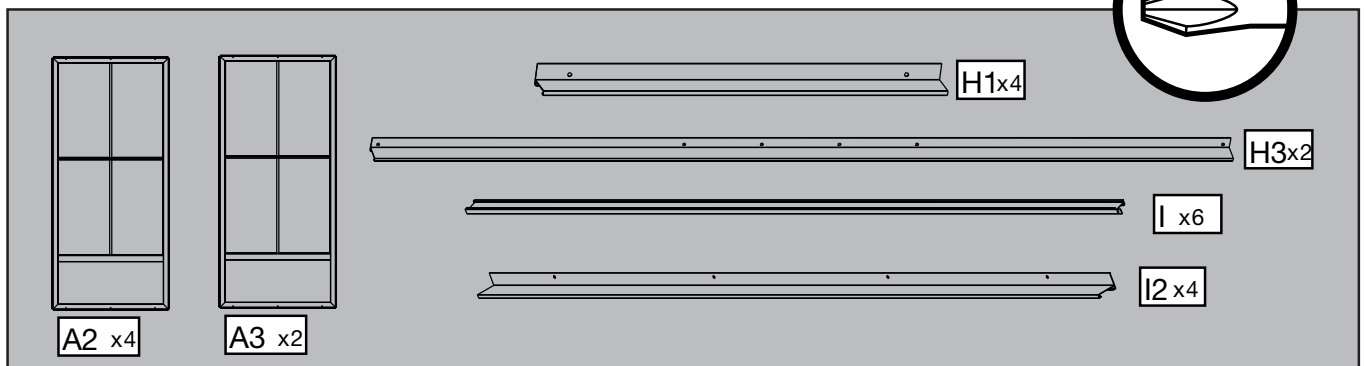
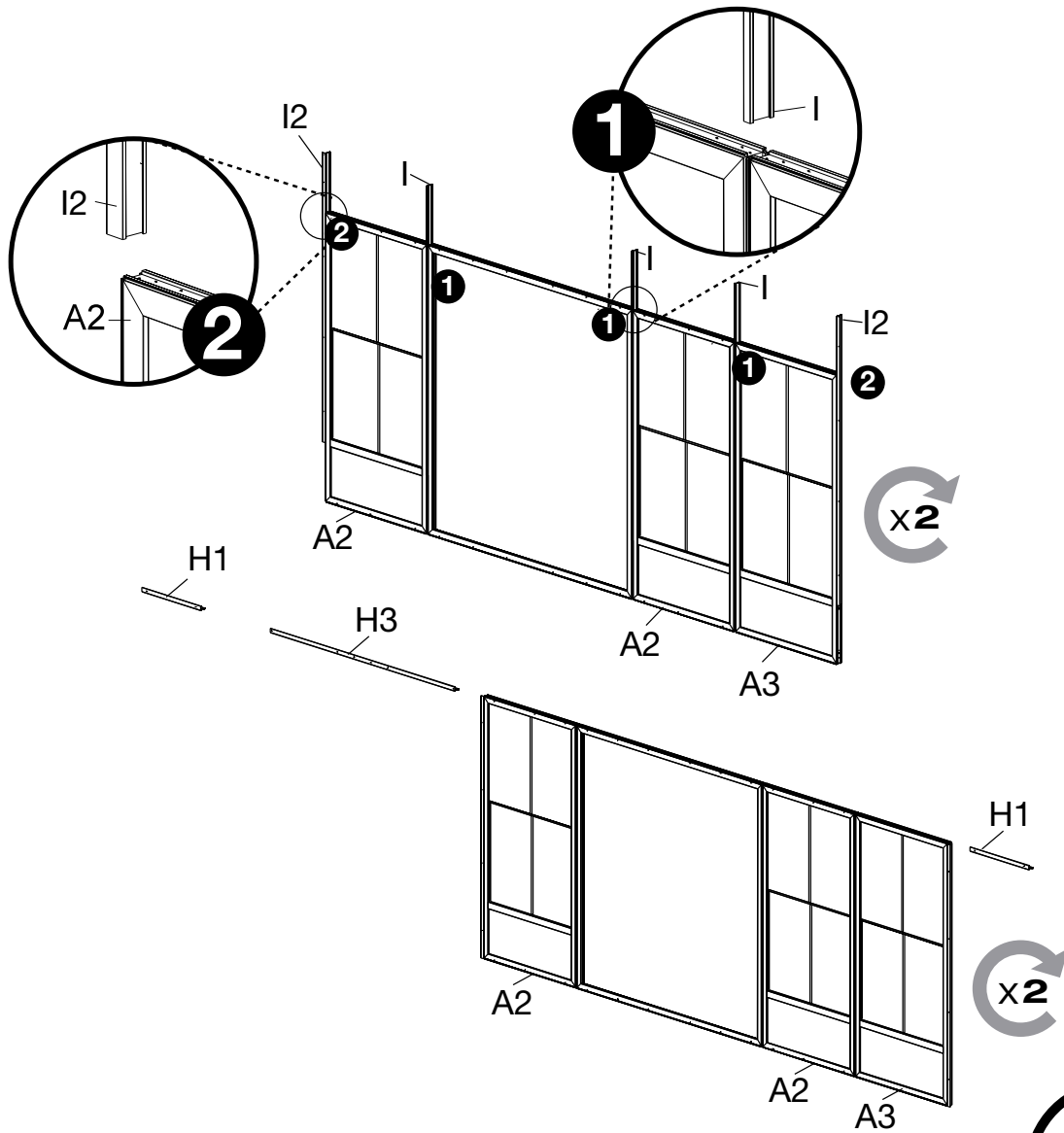


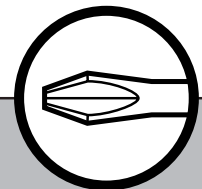
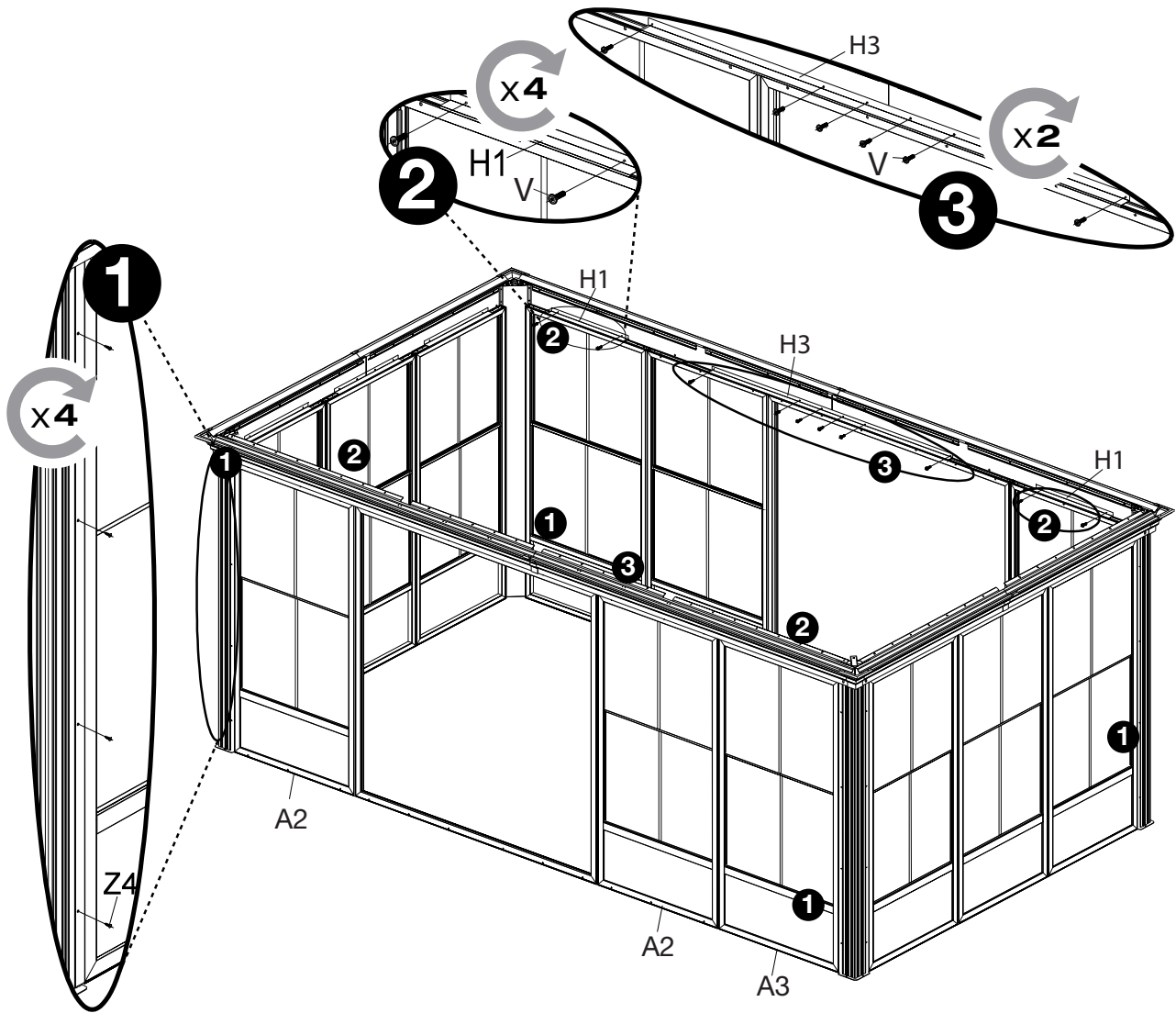


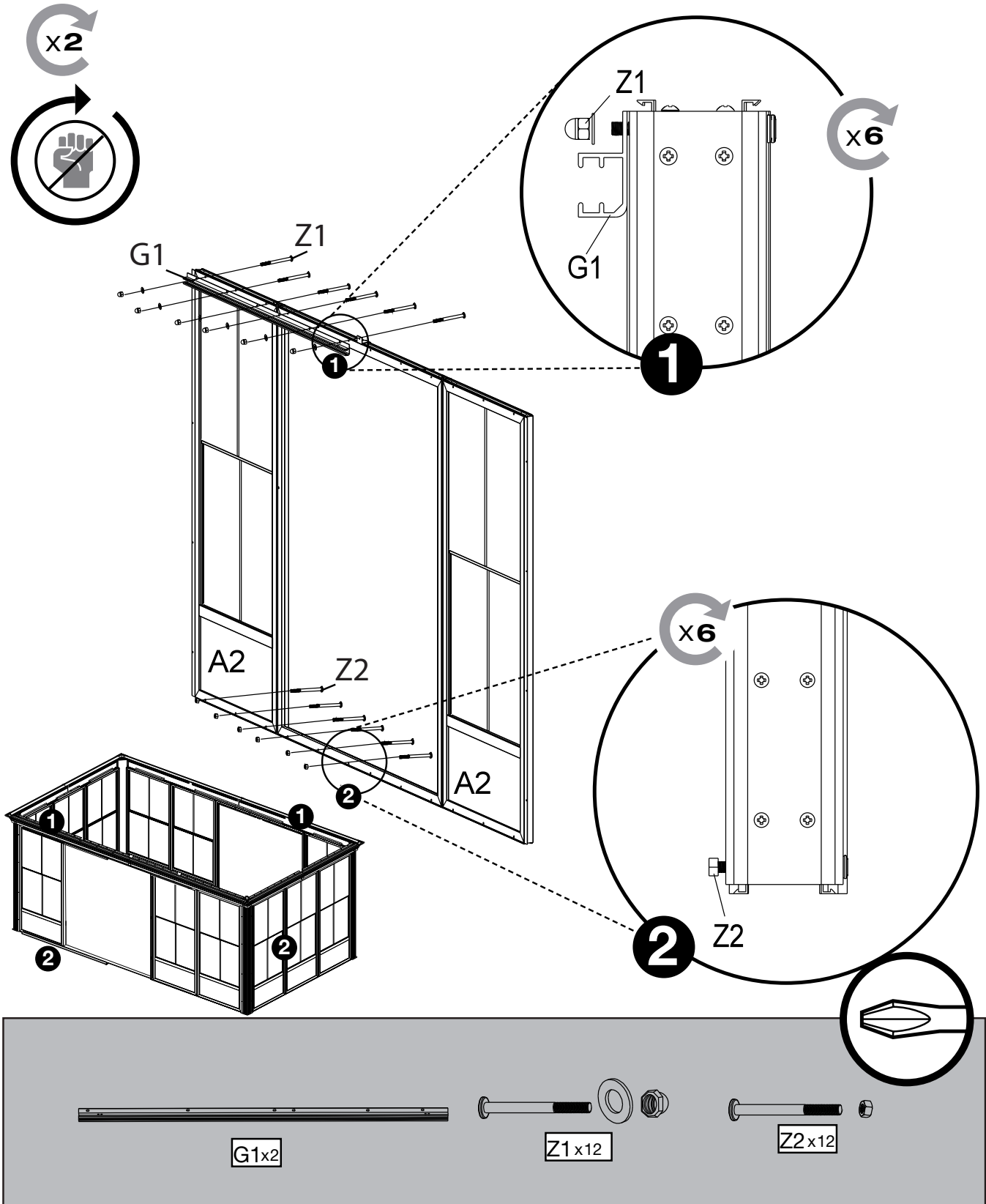


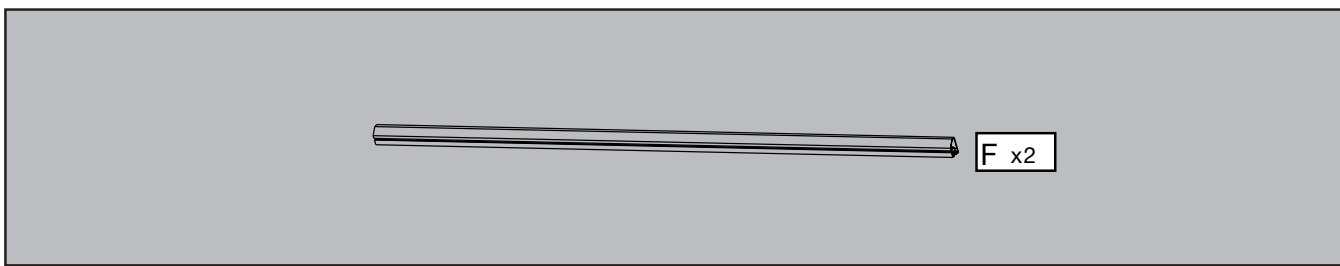
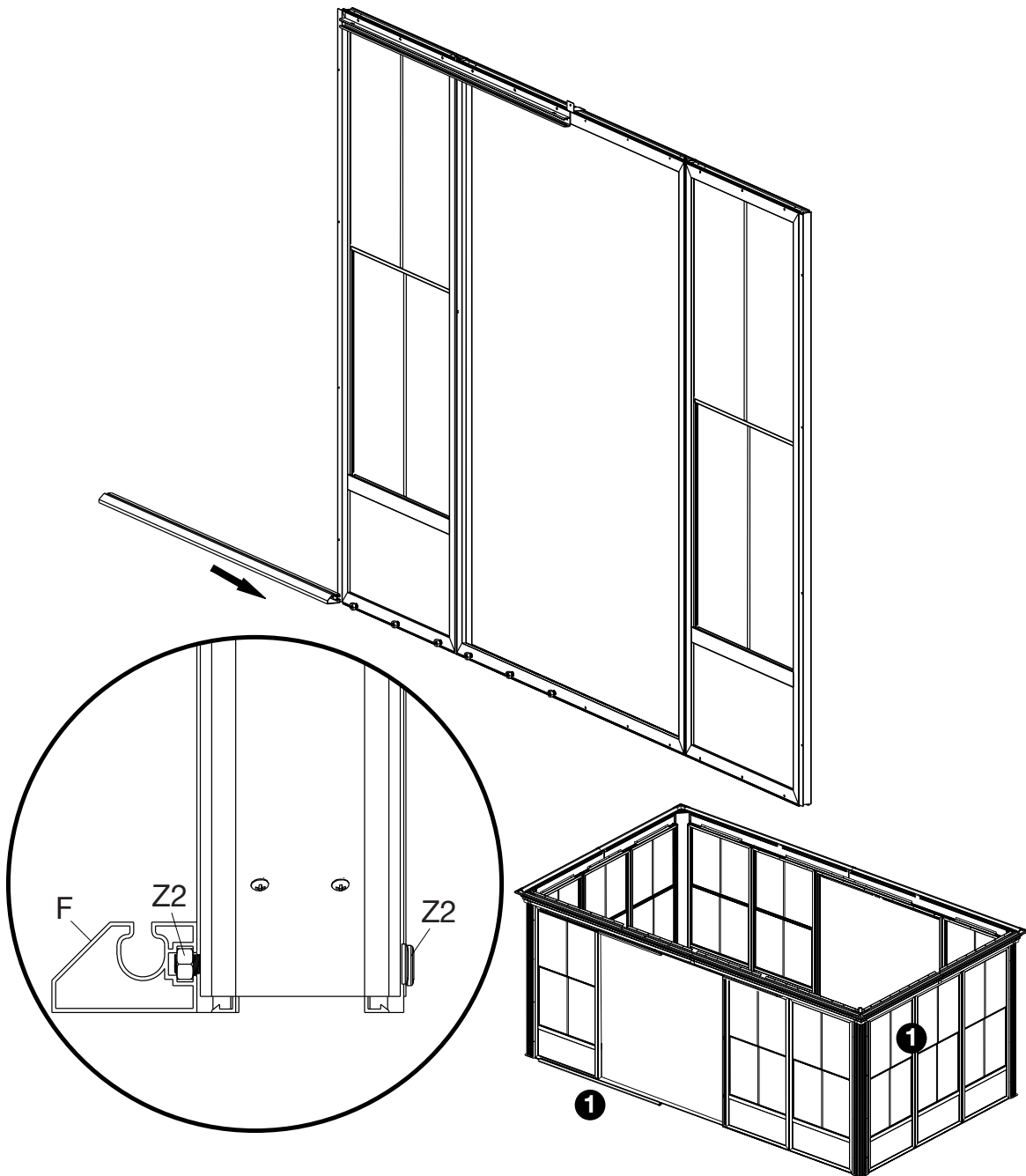
Z4 x16

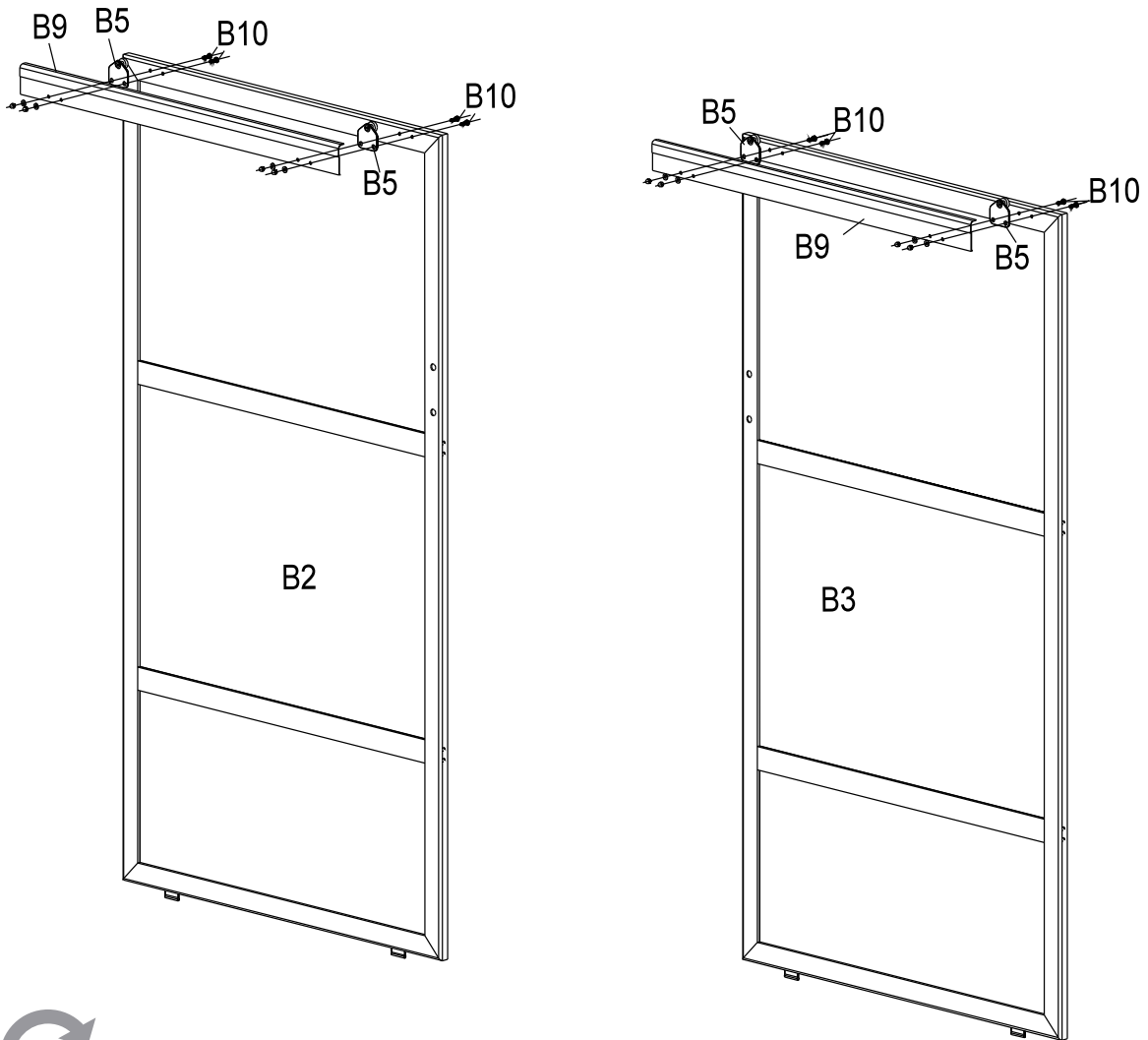




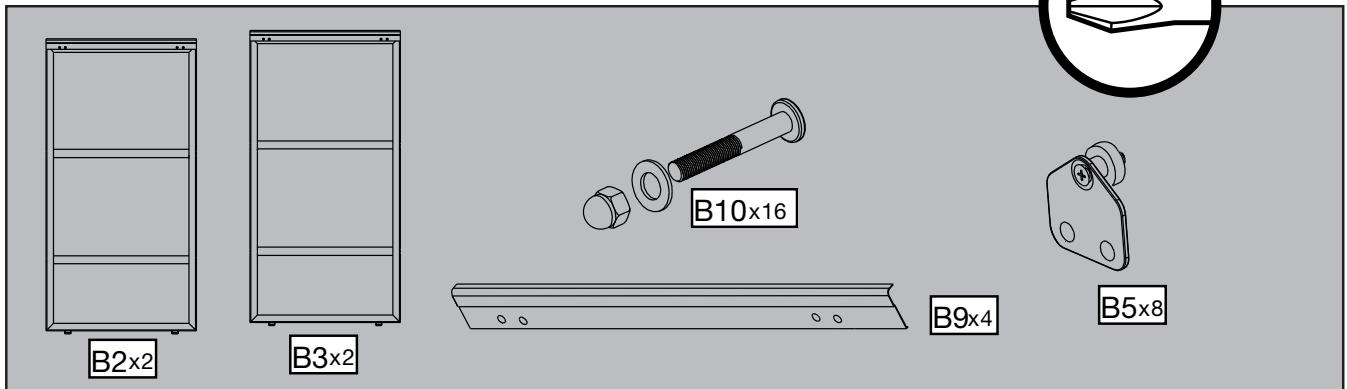




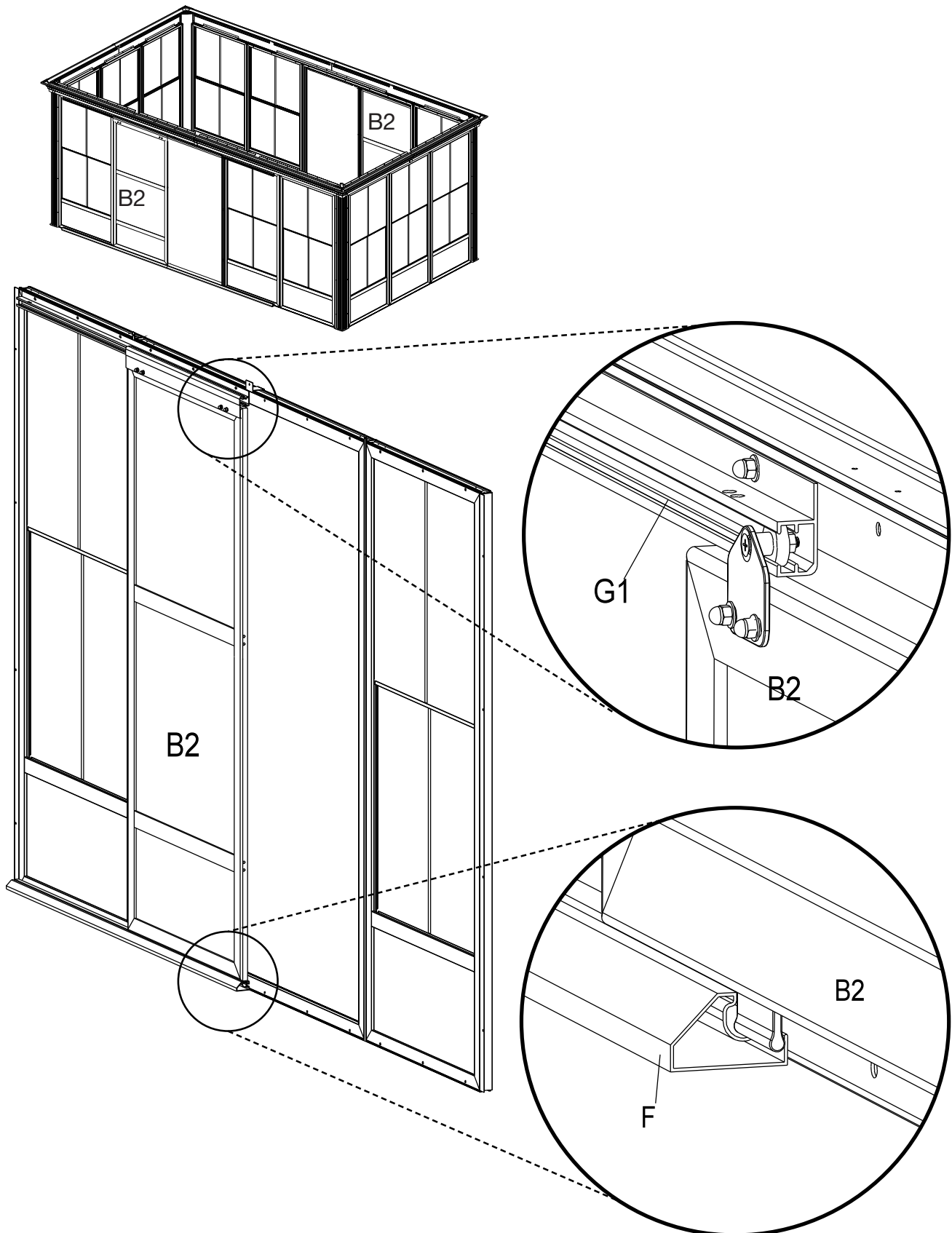


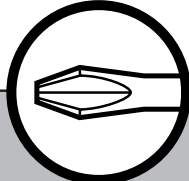
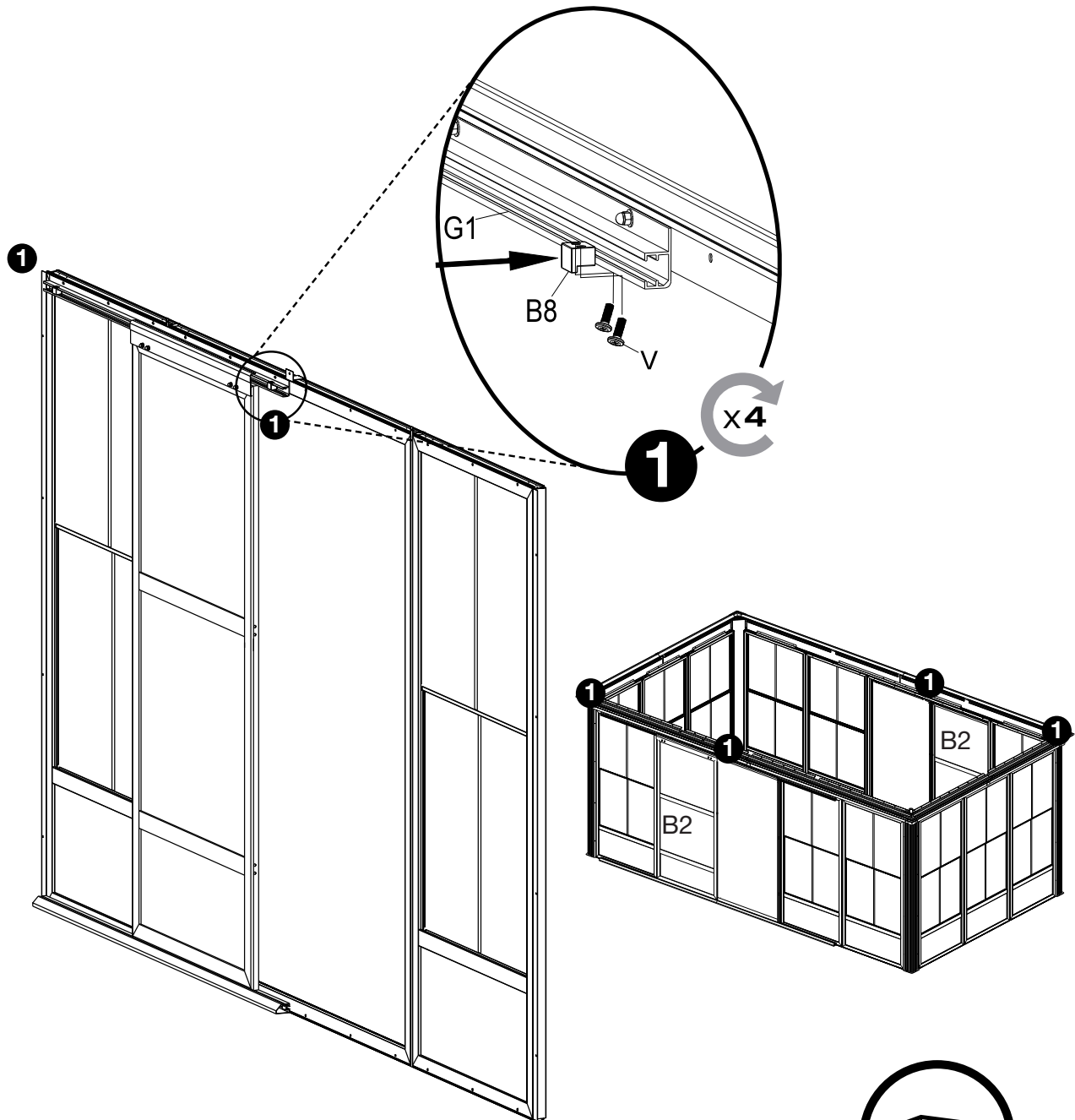


x2

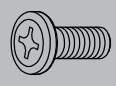




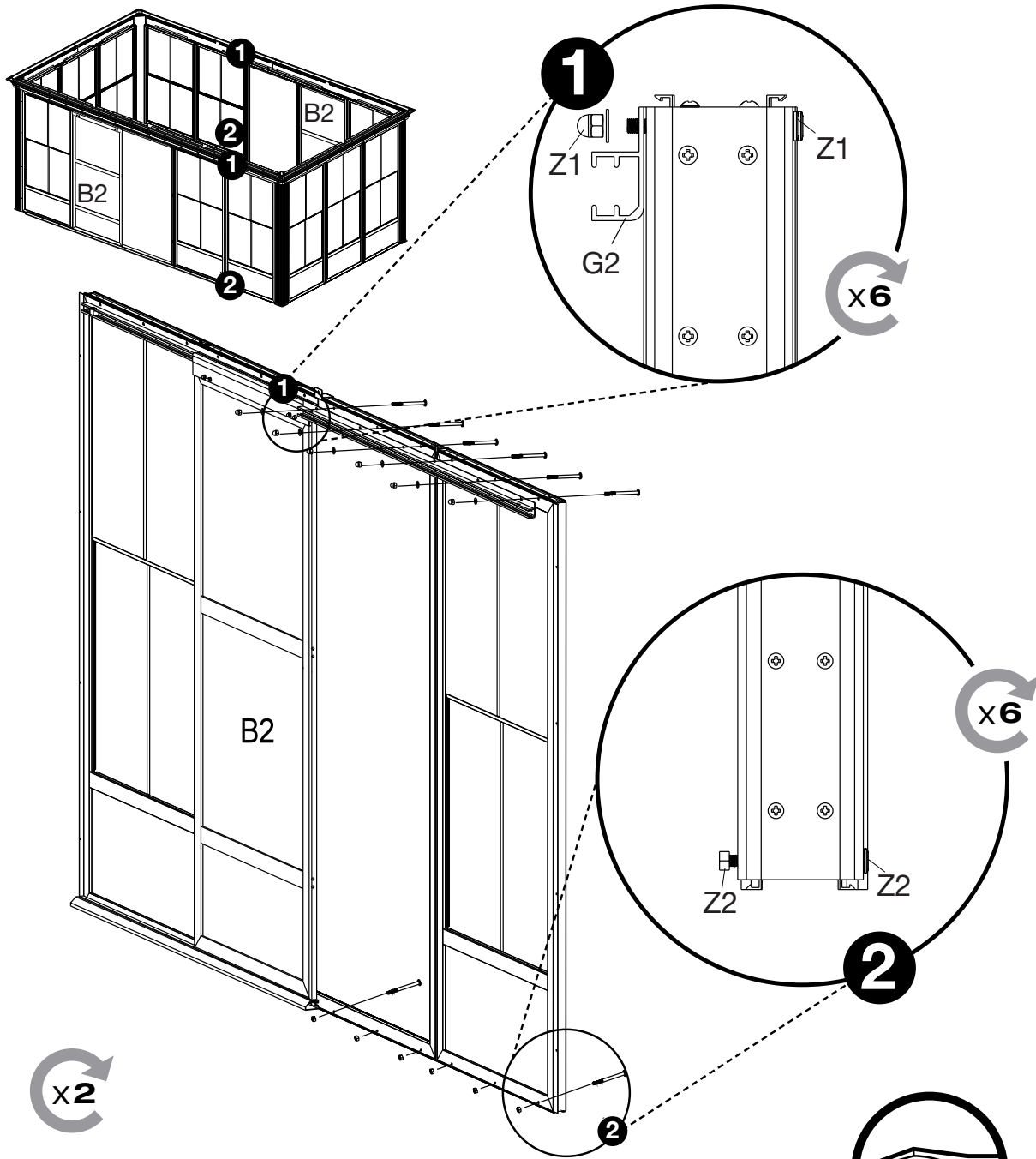




B8x4



Vx8



x2

x6

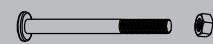
x6



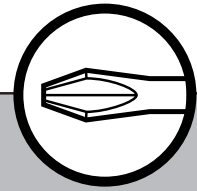
G2x2

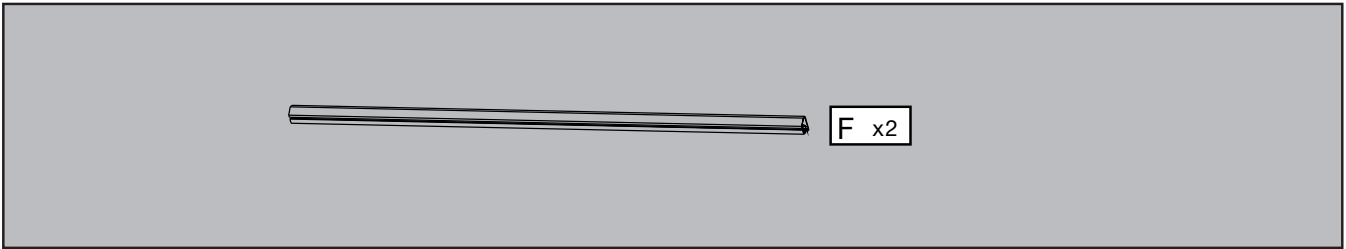
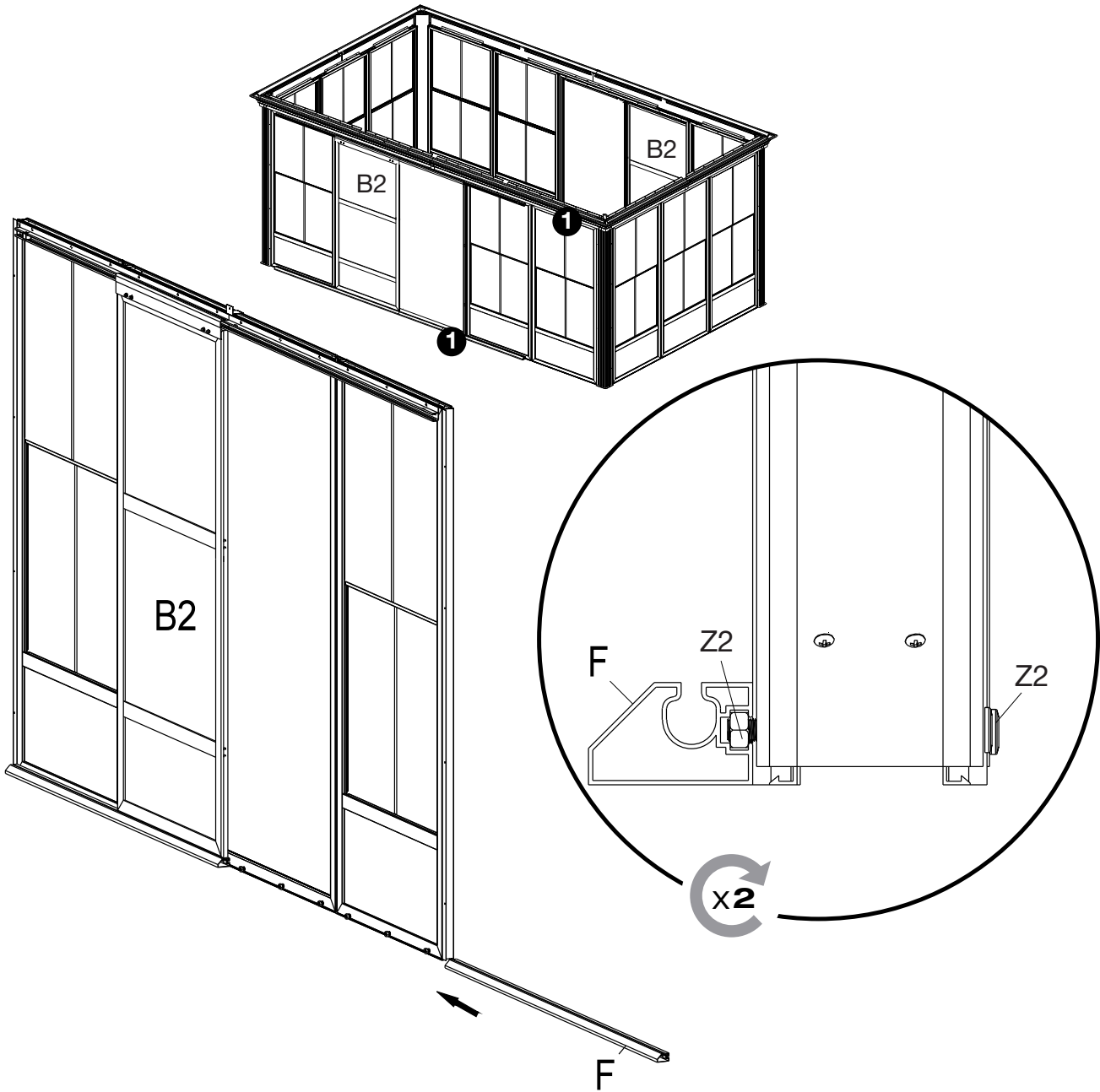


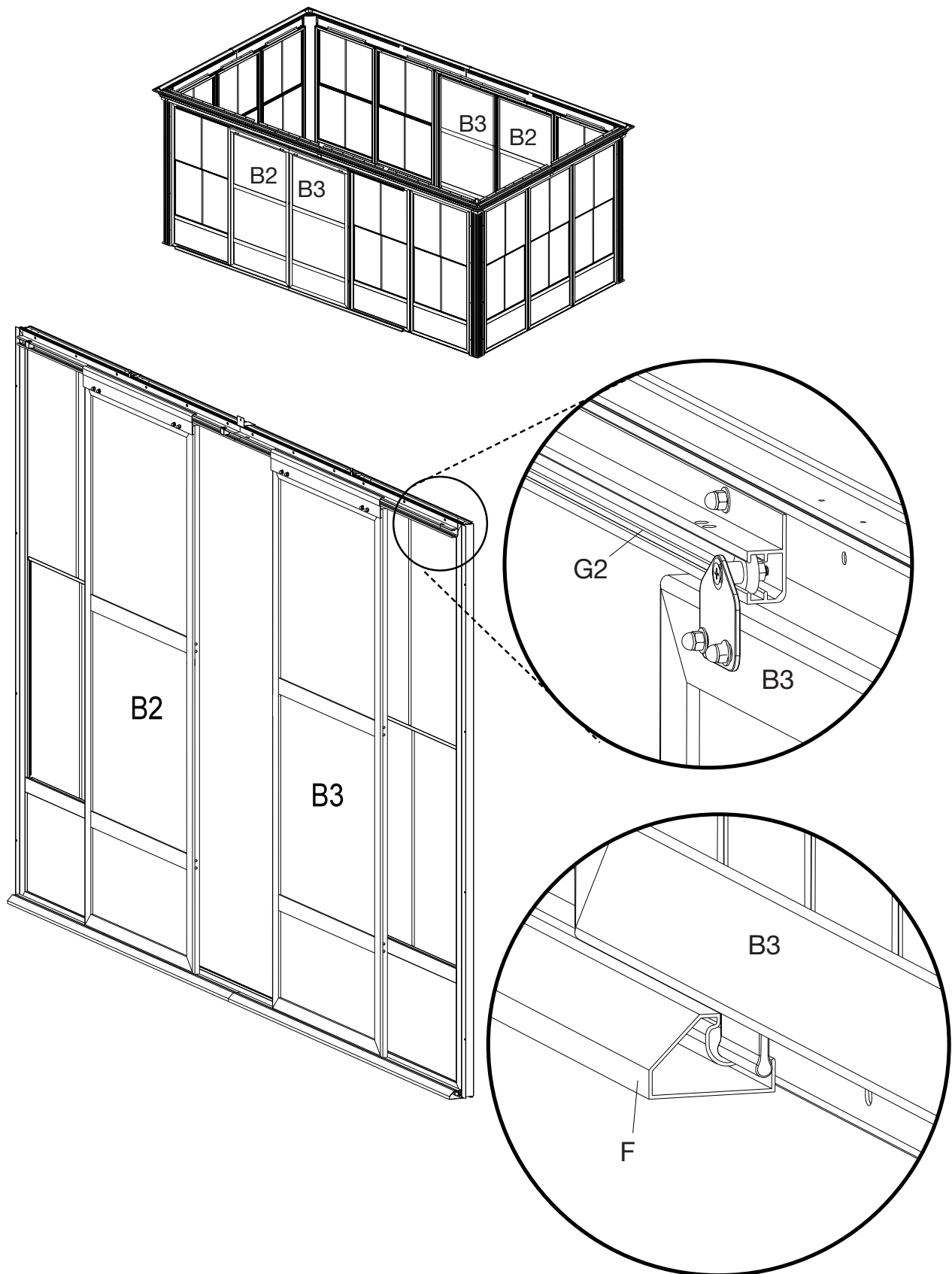
Z1x12

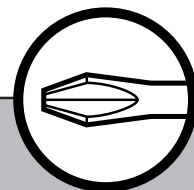
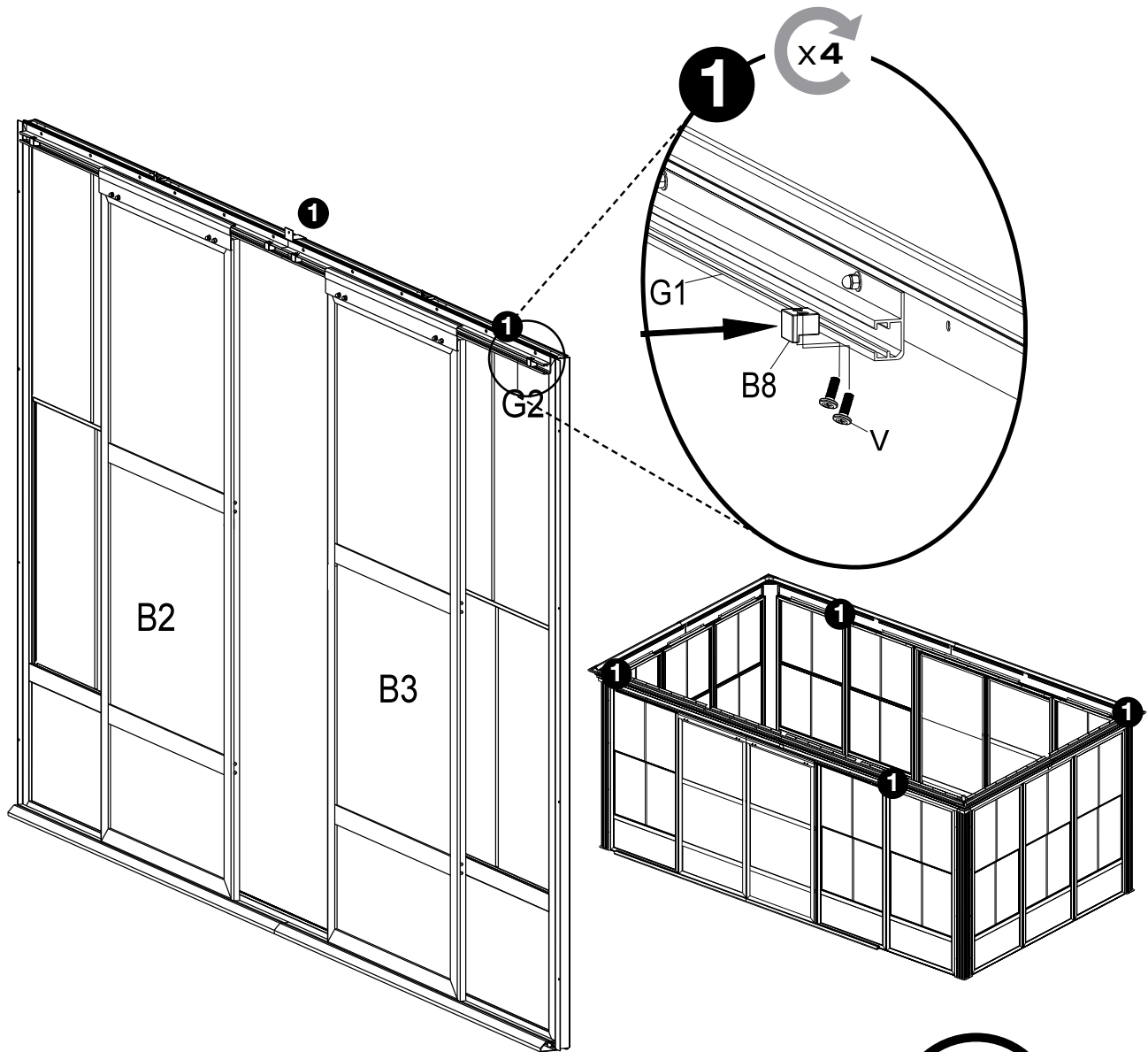


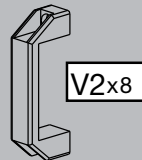
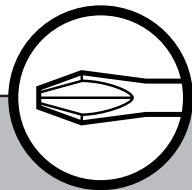
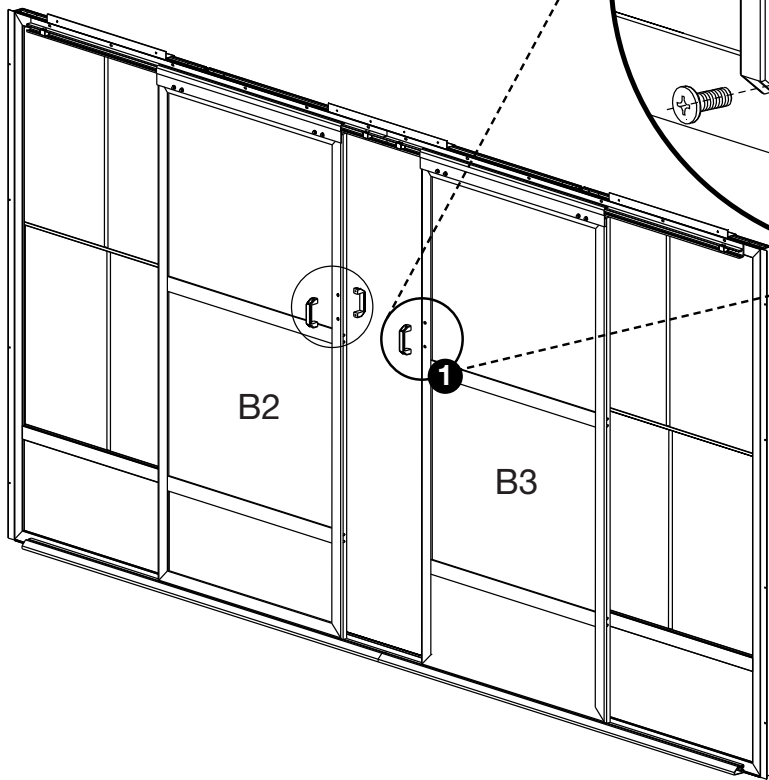
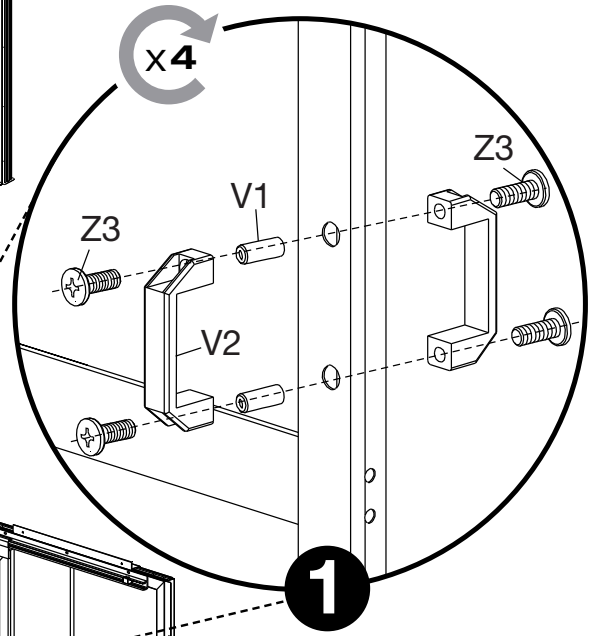
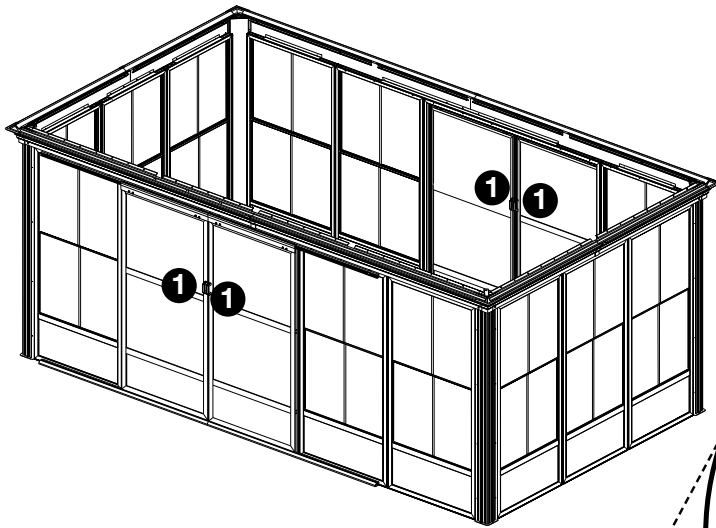
Z2x12

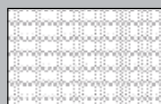
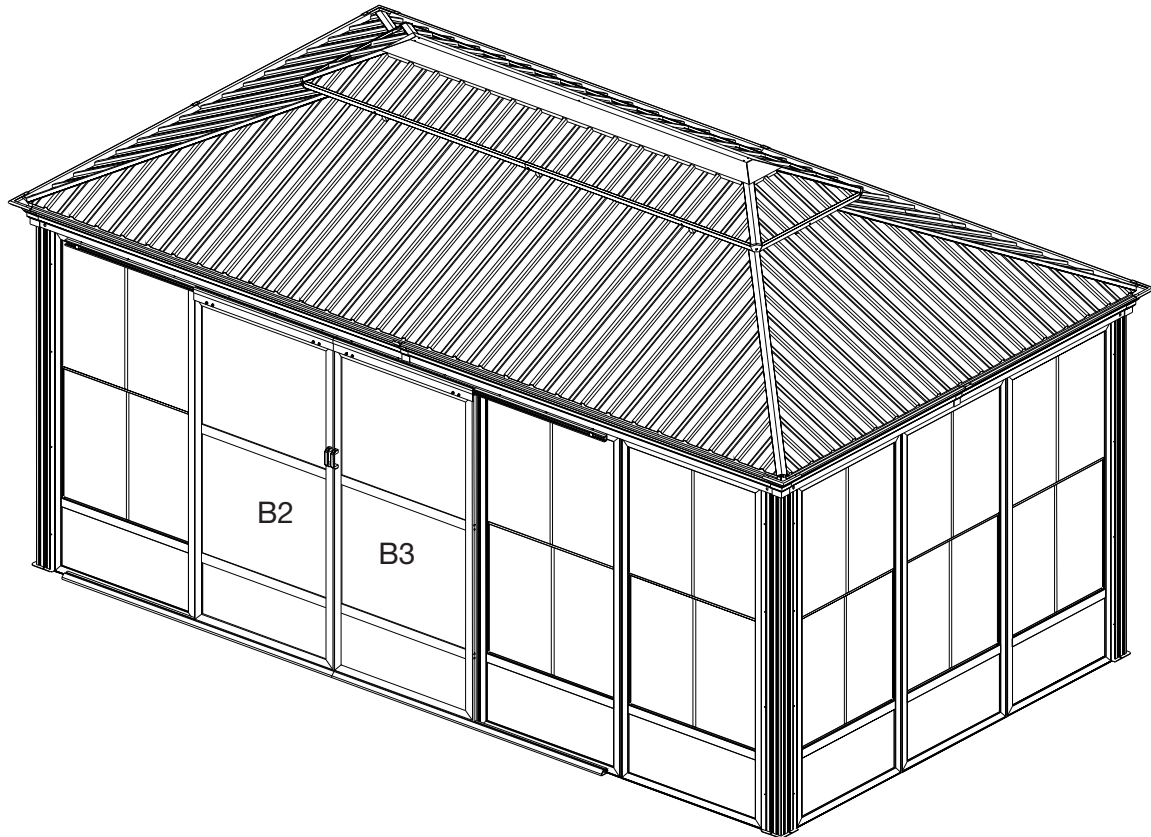
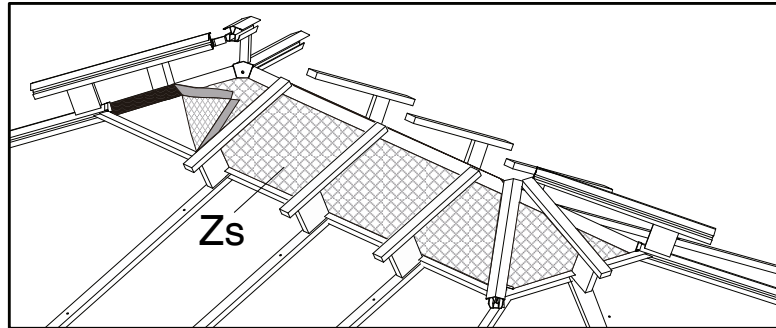












Zs x1





**SOJAG** ■ I  
produits saisonniers • seasonal products